

GRUPO 08 03 CAJA DE TRANSFERE

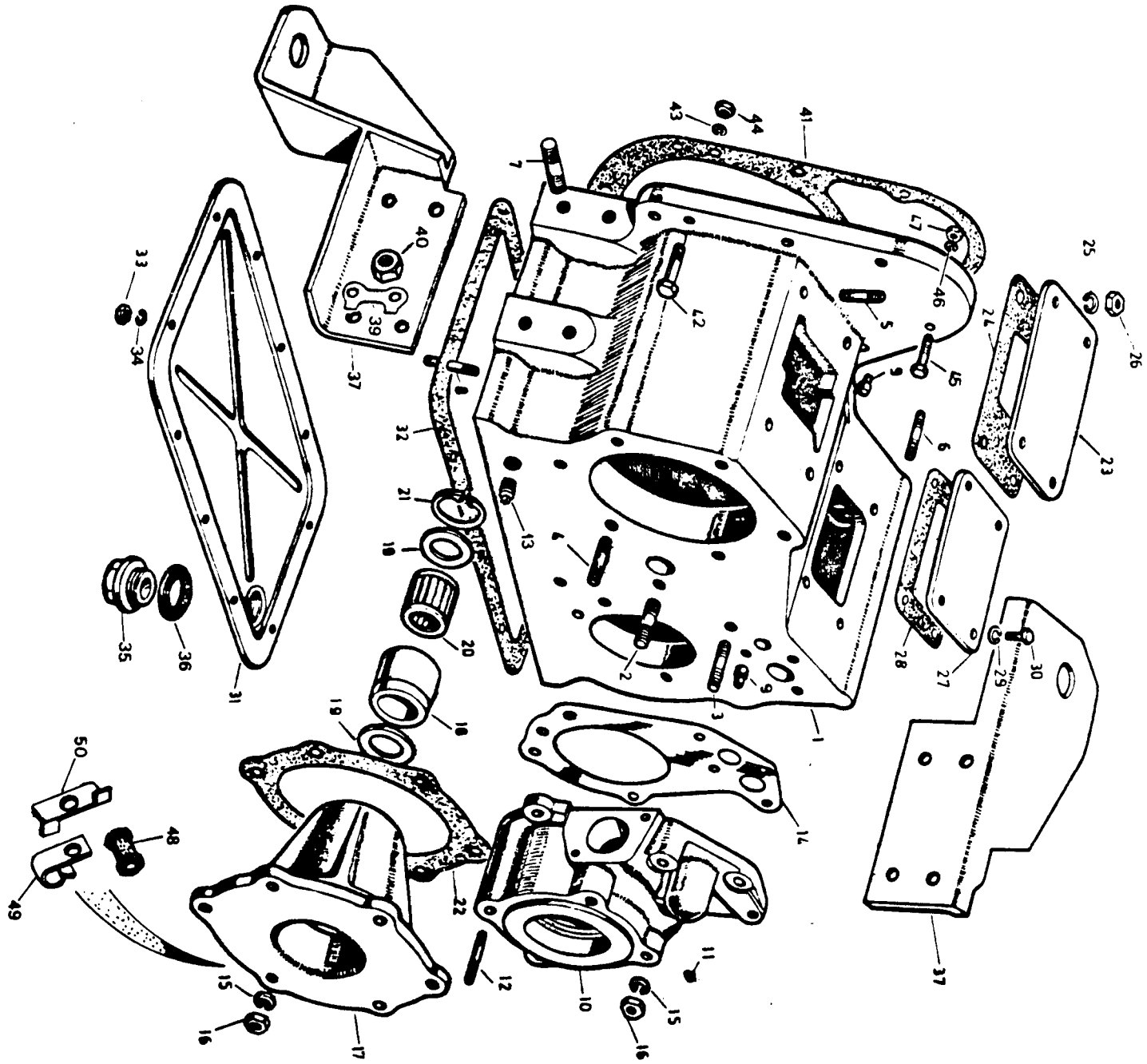
GRUPO 08 03 TRANSFER CASING

GRUPO 08 03 BOITE DE TRANSFER

-----  
COMPOSICION.....COMPOSITION.....COMPOSITION  
-----

DENOMINACION	DESCRIPTION	DENOMINATION	HOJA PAGE PAGE
CARTER TRANS ROVER 4C	TRANSFER CA ROVER 4C	CARTER DE B ROVER 4C	221
CARTER TRANS SANT 6C	TRANSFER CA SANTA 6C	CARTER DE B SANTA 6C	223
CARTER TRANS 5 VELOC	TRANSFER CA 5 SPEEU	CARTER DE B 5 VITESS	225
SOPORTE 5 VELOCIDADE	SUPPORT 5 SPEED	SUPPORT 5 VITESSES	226
PALANCA Y TI ROVE 4C	SELECTOR SHA ROVE 4C	DISPOSITIF D ROVE 4C	227
PALANCA Y TI SANT 6C	SELECTOR SHA SANT 6C	DISPOSITIF D SANT 6C	229
PALANCA Y TIRAN 5 VE	LEVER AND TIRE SSPPE	LEVIER ET TIRAN 5 VI	231
HORQUILLAS 5 VELOCID	FORKS 5 SPEED	FOURCHETTE 5 VITESSE	233
CAJA DEL EJE ROVE 4C	FRONT OUTPUT ROVE 4C	CARTER D ARBR ROVE4C	234
CAJA DEL EJE SANT 6C	FRONT OUTPUT SANT 6C	CARTER D ARBR SANT6C	235
CAJA DEL EJE 5 VELOC	FRONT OUTPUT 5 SPEED	CARTER D ARBR 5 VITE	236
EJE DE SALID 5 VELOC	OUTPUT SHAFT 5 SPEED	ARBRE DE SOR 5 VITES	237
ENGRANAJES 6C	GEARS 6C	ENGRANAGES 6C	238
ENGRANAJES 5 VELOCID	GEARS 5 SPEED	ENGRANAGES 5 VITESSE	240
ENGRANAJES 5 VELOCID	GEARS 5 SPEED	ENGRANAGES 5 VITESSE	241
ENGRANAJES 5 VELOCID	GEARS 5 SPEED	ENGRANAGES 5 VITESSE	242

080100  
080104



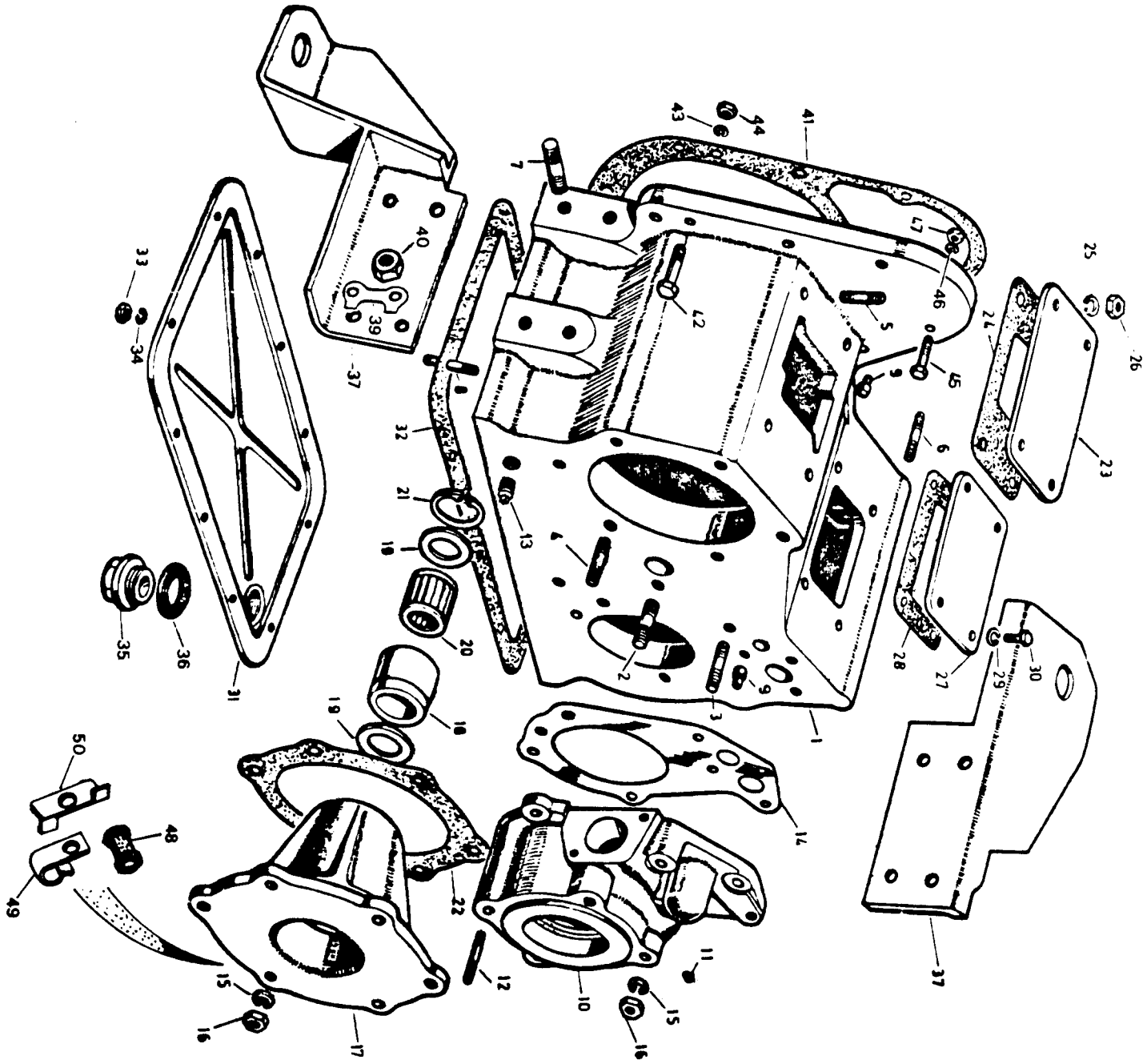
PUBLICACION N 88 JC13  
EDICION N 1

GRUPO=CAJA DE TRANSFERE  
GROUP=TR TRANSFER CASING  
GRUPE=TR BOITE DE TRANSFER

SUBGRUPO=CARTER TRANS ROVER4C  
SUBGROUP=TRANSFER CA ROVER 4C  
SUBGRUPE=CARTER DE B ROVER 4C

N.FIG	N.PIEZA	CAN				
PLATE	PARTNUMBER	QTY				
N.FIG	N.PIECE	OUT	DENOMINACION	DESCRIPTION	DENOMINATION	C H A S I S
1	FRC0567	1	CARTER TRANSFERENCIA	TRANSFER CASING	CARTER DE BOITE TRAN	
2	217778	1	ESPARRAGO	SUTD	GOUJON	
3	237251	1	ESPARRAGO	SUTD	GOUJON	
	3637	5	ESPARRAGO	SUTD	GOUJON	
4	3657	6	ESPARRAGO	SUTD	GOUJON	
5	217978	4	ESPARRAGO	SUTD	GOUJON	
6	180111	6	ESPARRAGO	SUTD	GOUJON	
	232497	1	ESPARRAGO	SUTD	GOUJON	
7	217976	3	ESPARRAGO	SUTD	GOUJON	
8	212174	10	ESPARRAGO	SUTD	GOUJON	
9	55636	4	FIJA	DOWEL	TIGE	
10	522318	1	CAJA CUENTAKILOMETRO	SPEEDOMETER PINION	CARTER DE PIGNON	
11	232846	1	FIJA	DOWEL	TIGE	
12	217977	4	ESPARRAGO	STUD	GOUJON	
13	3292	1	TAPON	PLUG	BOUCHON	
14	FRC3264	S-N	SUPLEMENTO C 040	SHIM C 040	SUPPLEMENT C 040	
	FRC3265	S-N	SUPLEMENTO C 015	SHIM C 015	SUPPLEMENT C 015	
	FRC3266	S-N	SUPLEMENTO C 010	SHIM C 010	SUPPLEMENT C 010	
	FRC3267	S-N	SUPLEMENTO C 005	SHIM C 005	SUPPLEMENT C 005	
	FRC3268	S-N	SUPLEMENTO C 003	SHIM C 003	SUPPLEMENT C 003	
15	180426	6	ARANDELA	WASHER	RONDELLE	
16	180157	6	TUERCA	NUT	ECROU	
17	FRC1141	1	CONJ ALQUAMIENTO	HOUSING ASSY	ENSEMBLE DU CARTER	
18	FRC1132	1	CASCULLO	BUSH	BAGUE	
19	217523	2	ARANDELA	WASHER	RONDELLE	
20	217478	1	COJINETE	BEARING	COUSSINET	
21	217525	1	CIRCLIP	CIRCLIP	CIRCLIP	
22	522047	1	JUNTA	JOINT	JOINT	
23	21797	1	TAPA	COVER	COUVERCLE	
24	230140	1	JUNTA	JOINT	JOINT	
25	3075	4	ARANDELA	WASHER	RONDELLE	
26	180169	4	TUERCA	NUT	ECROU	
27	528235	1	COBIERTA	COVER PLATE	COUVERCLE	
28	219995	1	JUNTA	JOINT	JOINT	

080100  
080104

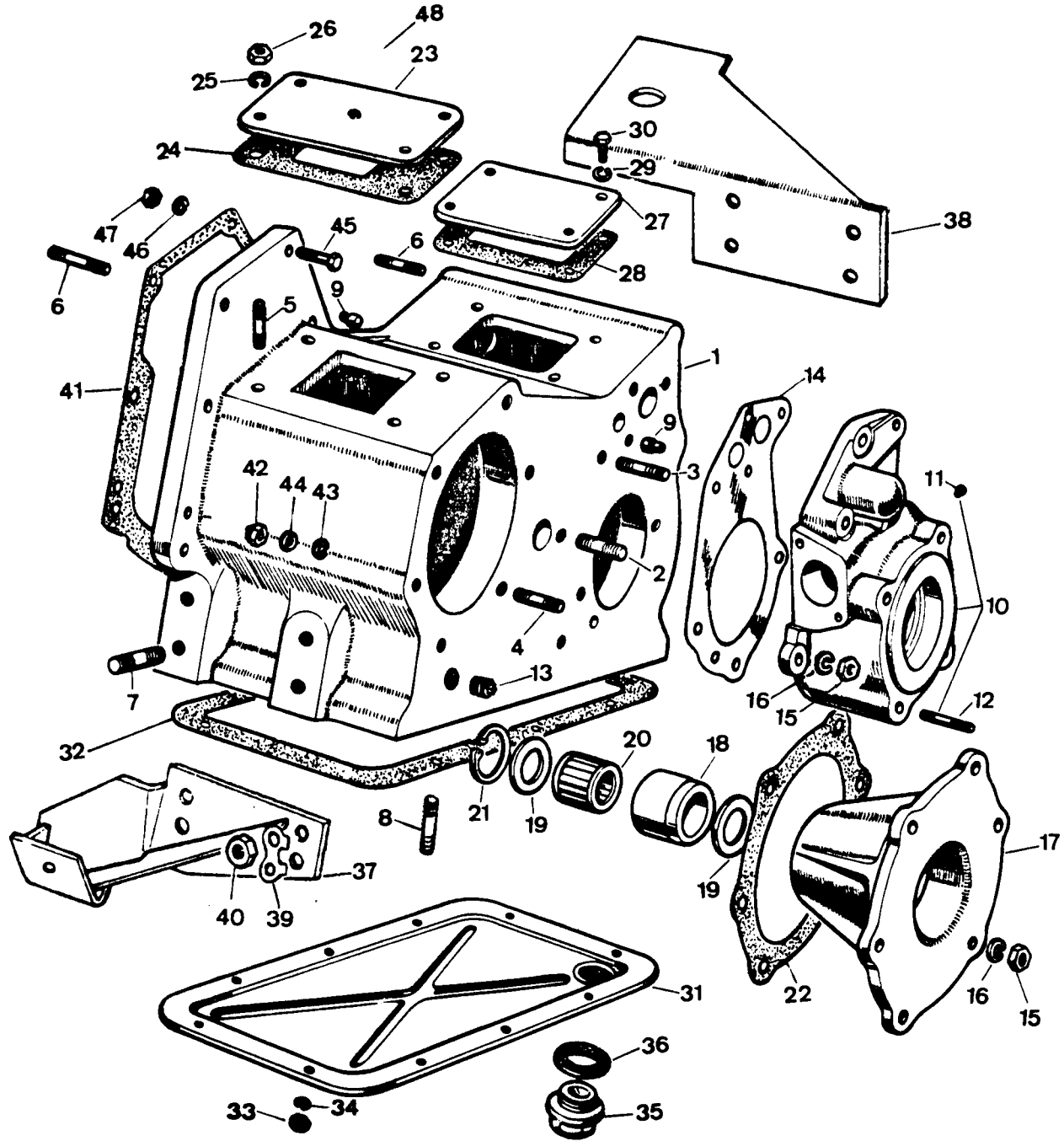


PUBLICACION N 99013  
EDICION N 1

GRUPO= CAJA DE TRANSFERE  
GROUPE= TRANSFER CASING  
GROUPE= BOITE DE TRANSFER

SUBGRUPO= CARTER TRANS ROVER 4C  
SUBGRUPO= TRANSFER CA ROVER 4C  
SUBGRUPO= CARTER DE B ROVER 4C

N.FIG	N.PIEZA	CAN				
PLATE	PARTNUMBER	QTY				
N.FIG	N.PIEZA	OUT	DENOMINACION	DESCRIPTION	DENOMINATION	C H A S I S
29	3074	4	ARANDELA	WASHER	RONDELLE	
30	215758	4	TORNILLO	BOLT	BOULON	
31	218259	1	COBIERTA	COVER	COUVERCLE	
32	218277	1	JUNTA	JOINT	JOINT	
33	190109	10	TUERCA	NUT	ECROU	
34	3074	10	ARANDELA	WASHER	RONDELLE	
35	235592	1	TAPON	PLUG	BOUCHON	
36	FRC4819	1	ARANDELA	WASHER	RONDELLE	
37	272189	1	SOPORTE L I	BRACKET L H	SUPPORT C G	
38	331104	1	SOPORTE L D	BRACKET R H	SUPPORT C D	
39	241839	4	FIADOR	LOCKING PLATE	ATTACHE	
40	190109	8	TUERCA	NUT	ECROU	
41	267795	1	JUNTA	JOINT	JOINT	
42	181156	1	TORNILLO	BOLT	BOULON	
43	180426	3	ARANDELA	WASHER	RONDELLE	
44	180107	3	TUERCA	NUT	ECROU	
	180139	3	TUERCA	NUT	ECROU	
45	182125	2	TORNILLO	BOLT	BOULON	
46	3075	2	ARANDELA	WASHER	RONDELLE	
47	181181	2	TUERCA	NUT	ECROU	
48	08867	1	JUNA	RUEBER	CAOUTCHOUC	
49	240407	1	CLIF	CLIP	CLIP	
50	PDC1687	1	PLACA	PLATE	PLAQUE	

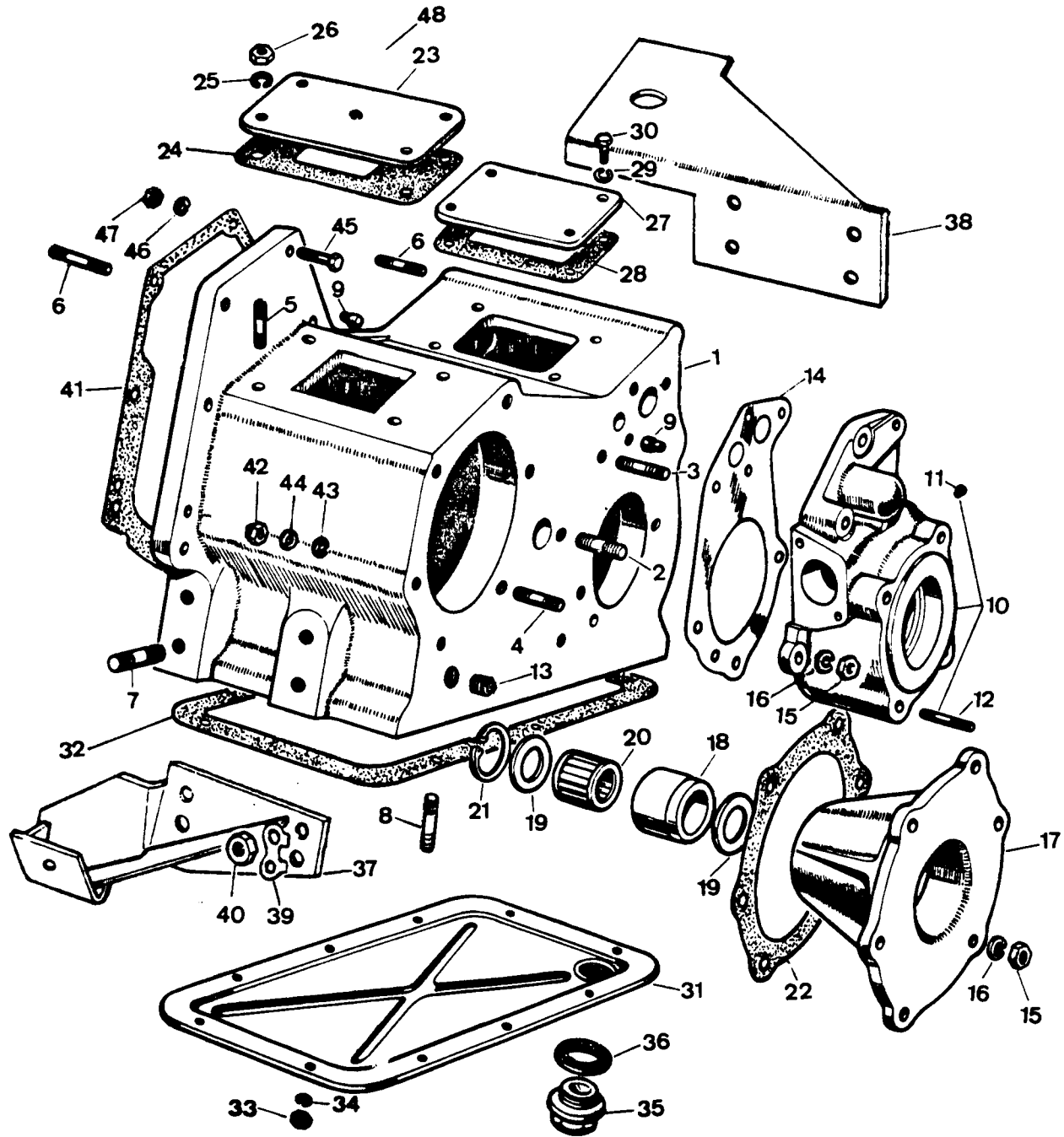


PUBLICACION N 990013  
EDICION N 1

GRUPO=LS CAJA DE TRANSFERE  
GROUP=PS TRANSFER CASING  
GROUPE=PS BOITE DE TRANSFER

SUBGRUPO=CARTER TRANS SANT 6C  
SUBGROUP=TRANSFER CA SANTA 6C  
SUBGROUPE=CARTER DE B SANTA 6C

N.FIG	N.PIEZA	CAN	DEYOMINACION	DESCRIPTION	DENOMINATION	C H A S I S
PLATE	PARTNUMBER	QTY				
N.FIG	N.PIECE	OUT				
1	539787K1	1	CARTER TRANSFERENCIA	TRANSFER CASING	CARTER DE BOITE TRAN	
2	217778	1	ESPARRAGO	STUD	GOUJON	
3	237251	1	ESPARRAGO	STUD	GOUJON	
4	3650	S-N	ESPARRAGO	STUD	GOUJON	
5	217978	4	ESPARRAGO	STUD	GOUJON	
6	180111	6	ESPARRAGO	STUD	GOUJON	
	232447	1	ESPARRAGO	STUD	GOUJON	
7	217976	8	ESPARRAGO	STUD	GOUJON	
8	212104	12	ESPARRAGO	STUD	GOUJON	
9	55636	4	FIJA	DOWEL	TIGE	
10	522318	1	CAJA CUENTAKILOMETRO	SPEEDOMETER PINION H	CARTER DE PIGNON	
11	232846	1	FIJA	DOWEL	TIGE	
12	217977	4	ESPARRAGO	STUD	GOUJON	
13	3292	1	TAPON	PLUG	BOUCHON	
14	FRC3264	S-N	SUPLEMENTO C 040	SHIM C 040	SUPPLEMENT C 040	
	FRC3265	S-N	SUPLEMENTO C 015	SHIM C 015	SUPPLEMENT C 015	
	FRC3266	S-N	SUPLEMENTO C 010	SHIM C 010	SUPPLEMENT C 010	
	FRC3267	S-N	SUPLEMENTO C 005	SHIM C 005	SUPPLEMENT C 005	
	FRC3268	S-N	SUPLEMENTO C 003	SHIM C 003	SUPPLEMENT C 003	
15	180426	6	ARANDELA	WASHER	RONDELLE	
16	180107	6	TUERCA	NUT	ECROU	
17	FRC1141	1	CONJ ALOJAMIENTO	HOUSING ASSY	ENSEMBLE DE CARTER	
18	FRC1122	1	CASQUILLO	BUSH	BAGUE	
19	217503	2	ARANDELA	WASHER	RONDELLE	
20	217478	1	COJINETE	BEARING	COUSSINET	
21	217525	1	ANILLO ELASTICO	CIRCLIP	CIRCLIP	
22	622047	1	JUNTA	JOINT	JOINT	
23	127307	1	TAPA	COVER	COUVERCLE	
24	230141	1	JUNTA	JOINT	JOINT	
25	3075	4	ARANDELA	WASHER	RONDELLE	
26	180108	4	TUERCA	NUT	ECROU	
27	528235	1	CUBIERTA	COVER PLATE	COUVERCLE	
28	219995	1	JUNTA	JOINT	JOINT	
29	3074	4	ARANDELA	WASHER	RONDELLE	



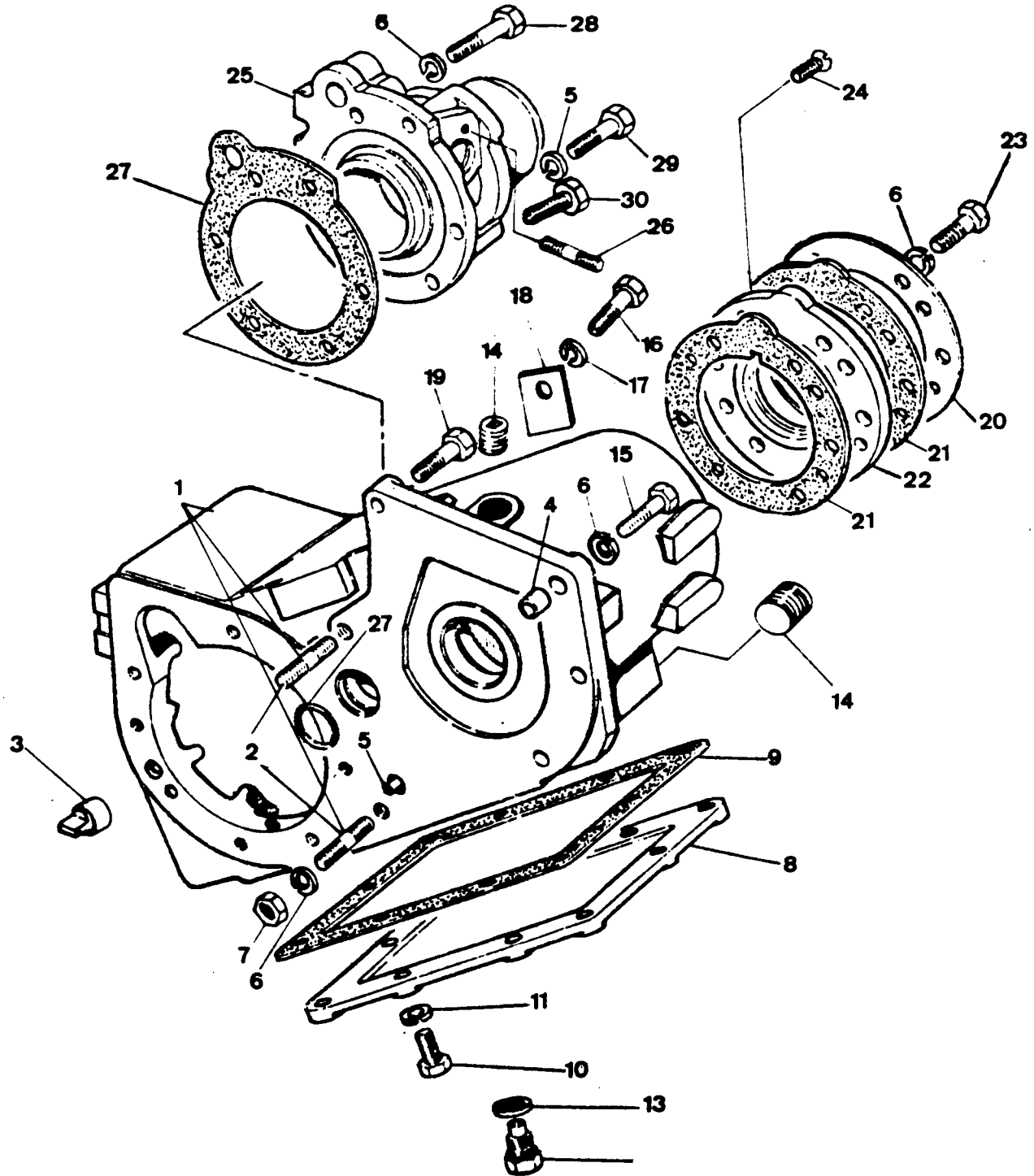


PUBLICACION N 890013  
EDICION N 1

GRUPO=03 CAJA DE TRANSFERE  
GROUP=03 TRANSFER CASING  
GROUPE=03 BOITE DE TRANSFER

SUBGRUPO=CARTER TRANS SANT 6C  
SUBGROUP=TRANSFER CA SANTA 6C  
SUBGROUPE=CARTER DE B SANTA 6C

N.FIG	N.PIEZA	CAN				
PLATE	PARTNUMBER	QTY				
N.FIG	N.PIECE	OUT	DENOMINACION	DESCRIPTION	DENOMINATION	C H A S I S
30	215758	4	TORNILLO	BOLT	BOULON	
31	218259H1	1	TAPA	COVER	COUVERCLE	
32	218270	1	JUNTA	JOINT	JOINT	
33	180105	10	TUERCA	NUT	ECROU	
34	3074	10	ARANDELA	WASHER	RONDELLE	
35	235591	1	TAPON	PLUG	BOUCHON	
36	FRC4809	1	ARANDELA	WASHER	RONDELLE	
37	127311	1	SUPORTE L I	BRACKET L H	SUPPORT C G	
38	531104	1	SUPORTE L D	BRACKET R H	SUPPORT C D	
39	241839	4	FIADOR	LOCKING PLATE	ATTACHE	
40	180109	8	TUERCA	NUT	ECROU	
41	712465	1	JUNTA	JOINT	JOINT	
42	180139	3	TUERCA	NUT	ECROU	
43	180426	3	ARANDELA	WASHER	RONDELLE	
44	180107	3	TUERCA	NUT	ECROU	
45	215171	2	TORNILLO	BOLT	BOULON	
46	3075	2	ARANDELA	WASHER	RONDELLE	
47	180108	2	TUERCA	NUT	ECROU	
48	515845	1	VALVULA	VALVE	VALVE	

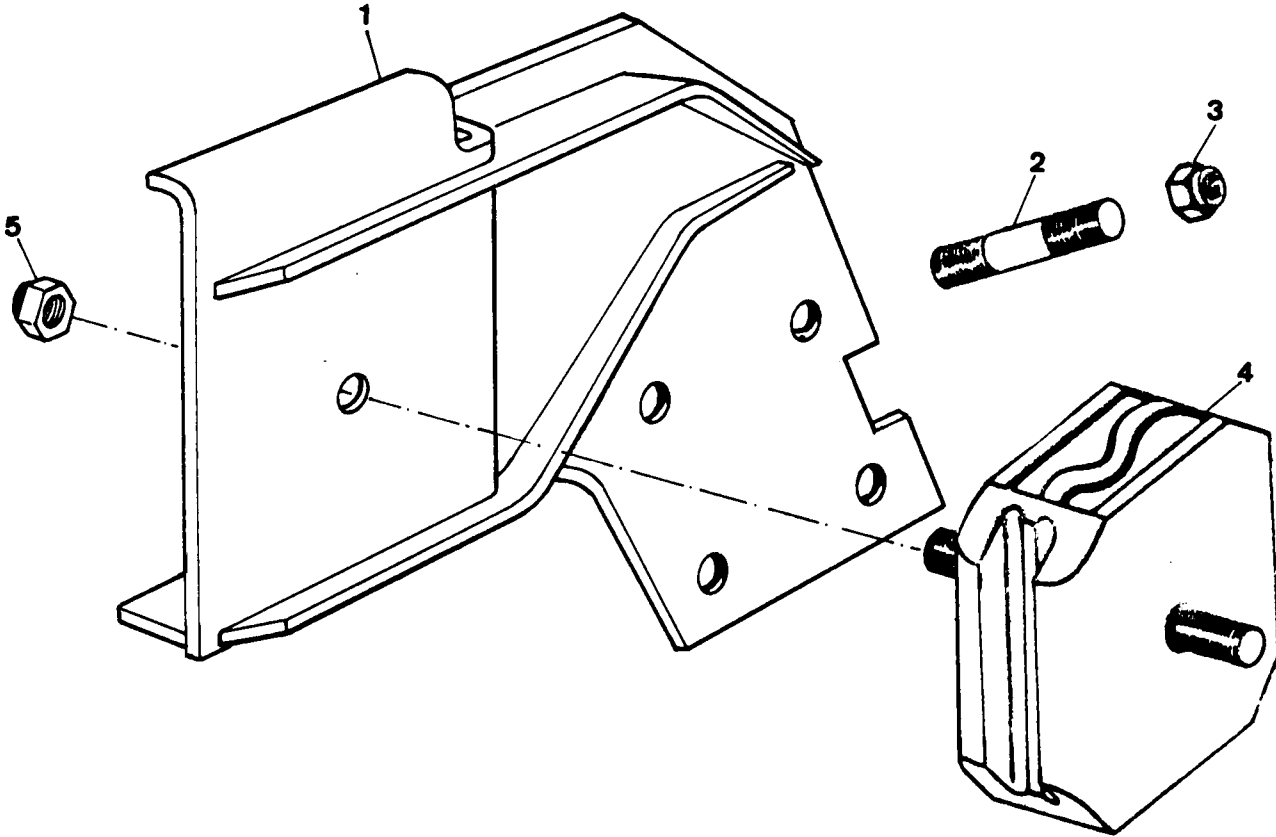


PUBLICACION N° 93013  
EDICION N° 1 -

GRUPO=08 CAJA DE TRANSFERE  
GRUPO=08 TRANSFER CASING  
GRUPO=08 BOITE DE TRANSFER

SUBGRUPO=CARTER TRANS 5 VELOC  
SUBGROUP=TRANSFER CA 5 SPEED  
SUBGRUPE=CARTER DE B 5 VITESS

N.FIG	N.PIEZA	CAN				
PLATE	PARTNUMER	QTY				
N.FIG	N.PIECE	OUT	DENOMINACION	DESCRIPTION	DENOMINATION	C H A S I S
1	FRC6151	1	CARTER TRANSFERENCIA	TRANSFER CASING	CARTER DE BOITE TRAN	
2	FRC5595	2	ESPARRAGO	STUD	GOUJON	
3	FRC5594	1	FIJA	DOWEL	TIGE	
4	FRC2482	1	FIJA	DOWEL	TIGE	
5	571134	1	FIJA	DOWEL	TIGE	
6	WL110001	18	ARANDELA	WASHER	RONDELLE	
7	NH110141	2	TUERCA	NUT	ECROU	
8	FRC5415	1	TAPA	COVER	COUVERCLE	
9	FRC5416	1	JUNTA	JOINT	JOINT	
10	SH108161	10	TORNILLO	BOLT	BOULON	
11	WL110001	10	ARANDELA	WASHER	RONDELLE	
12	599552	1	TAPON	PLUG	BOUCHON	
13	FRC4818	1	ARANDELA	WASHER	RONDELLE	
14	FRC5412	2	TAPON	PLUG	BOUCHON	
15	SH110191	1	TORNILLO	BOLT	BOULON	
16	SH100201	1	TORNILLO	BOLT	BOULON	
17	WL110001	1	ARANDELA	WASHER	RONDELLE	
18	FRC5454	1	PLACA	PLATE	PLAQUE	
19	SH110181	3	TORNILLO	BOLT	BOULON	
20	FRC5665	1	TAPA	COVER	COUVERCLE	
21	FRC5417	2	JUNTA	JOINT	JOINT	
22	FRC5412	1	ALOJAMIENTO	HOUSING	CARTER	
23	SH110171	6	TORNILLO	BOLT	BOULON	
24	SA108051	2	TORNILLO	SCREW	VIS	
25	FRC6152	1	ALOJAMIENTO	HOUSING	CARTER	
26	571536	1	ESPARRAGO	STUD	GOUJON	
27	FRC5419	1	JUNTA	JOINT	JOINT	
28	SH110451	1	TORNILLO	BOLT	BOULON	
29	SH110301	5	TORNILLO	BOLT	BOULON	
30	AFU1410	1	TORNILLO	BOLT	BOULON	



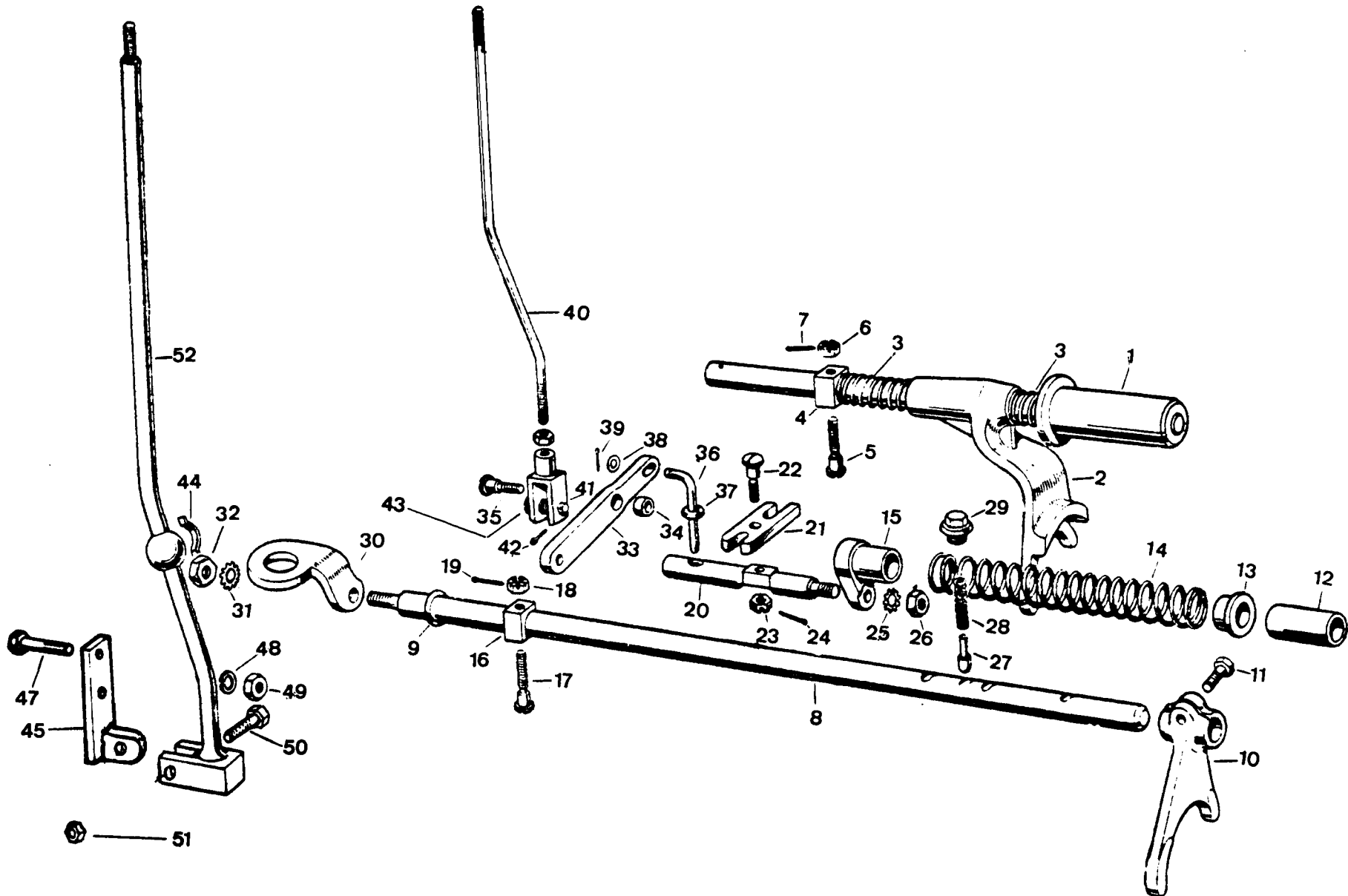
PUBLICACION N 890513  
EDICION N 1

GRUPO=ES CAJA DE TRANSFERE  
GROUP=TR TRANSFER CASING  
GROUPE=TR LOITE DE TRANSFER

SUBGRUPO=SOPORTE 5 VELOCIDADE  
SUBGROUPE=SUPPORT 5 SPEED  
SUBGROUPE=SUPPORT 5 VITESSES

N.FIG	N.PIEZA	CAN				
PLATE	PARTNUMBER	QTY				
N.FIG	N.PIECE	OUT	DENOMINACION	DESCRIPTION	DENOMINATION	C H A S I S
1	127519	1	SOPORTE	SUPPORT	SUPPORT	
2	121212	4	ESPARRASO	STUD	GOIJON	
3	813503	4	TUERCA	NUT	ECROU	
4	111203	1	SILENTBLOC	SUSPENSION RUBBER	SILENTBLOCK	
5	813503	1	TUERCA	NUT	ECROU	

080202  
080205



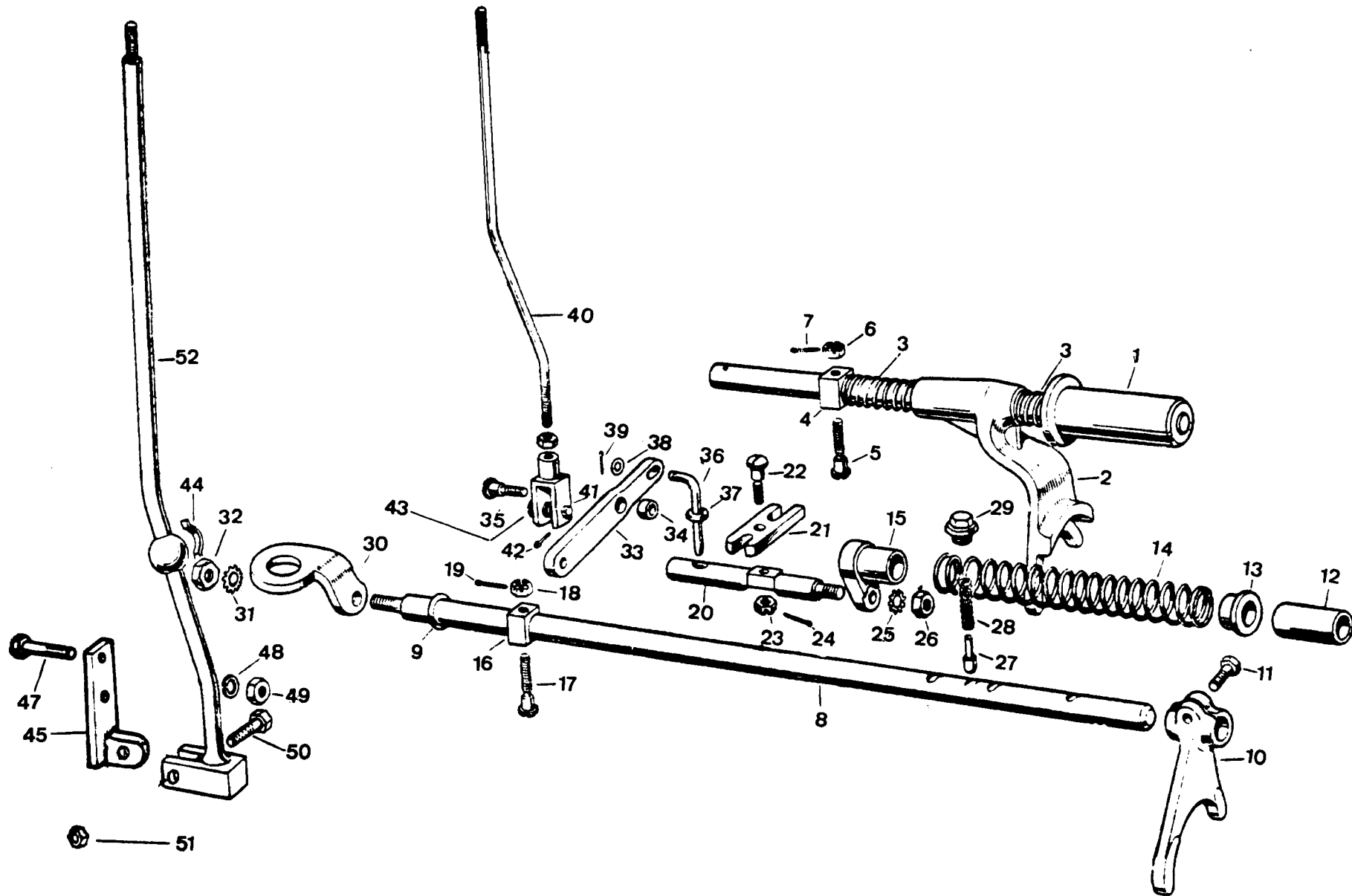
PUBLICACION N 89 2013  
EDICION N 1

GRUPO=03 CAJA DE TRANSFERE  
GRUPE=03 TRANSFER CASING  
GRUPE= 0 BOITE DE TPANSFER

SUBGRUPO=PALANCA Y TI ROVE 4C  
SUBGROUP=SELECTOR SHA ROVE 4C  
SUBGROUPE=DISPOSITIF D ROVE 4C

N.FIG	N.PIEZA	CAN	DENOMINACION	DESCRIPTION	DENOMINATION	C H A S I S
PLATE	PARTNUMBER	QTY				
N.FIG	N.PIECE	OUT				
1	233416	1	EJE SELECTOR	SELECTOR SHAFT	AXE DE SELECTION	
2	622155	1	HORQUILLA	FORK	FOURCHETTE	
3	233449	2	MUELLE	SPRING	RESSORT	
4	233406	1	BLOQUE	BLOCH	BLOC	
5	233409	1	TORNILLO	BOLT	BOULON	
6	181168	1	TUERCA	NUT	ECROU	
7	180307	1	PASADOR	PIN	GOUPILLE	
8	FRC4446	1	EJE	SHAFT	AXE	
9	515572	1	ANILLO	RING	ANNEAU	
10	217584	1	HORQUILLA	FORK	FOURCHETTE	
11	217584	1	TORNILLO	BOLT	BOULON	
12	233438	1	DISTANCIADOR	SPACER	ENTRETOISE	
13	233437	1	CASQUILLO	BUSH	BAGUE	
14	217445	1	MUELLE	SPRING	RESSORT	
15	538536	1	CASQUILLO	RUSH	BAGUE	
16	233406	1	BLOQUE	BLOCK	BLOC	
17	233409	1	TORNILLO	BOLT	BOULON	
18	181168	1	TUERCA	NUT	ECROU	
19	180307	1	PASADOR	PIN	GOUPILLE	
20	549168	1	EJE	SHAFT	AXE	
21	233417	1	ACOPLAMIENTO	COUPLING	ACCOUPLLEMENT	
22	549169	1	TORNILLO	BOLT	BOULON	
23	181168	1	TUERCA	NUT	ECROU	
24	180307	1	PASADOR	PIN	GOUJON	
25	054377	1	ARANDELA	WASHER	RONDELLE	
26	180107	1	TUERCA	NUT	ECROU	
27	235416	1	PIADOR	PLUNGER	POUSSOIR	
28	56102	1	MUELLE	SPRING	RESSORT	
29	233441	1	TAPON	PLUG	BOUCHON	
30	238329	1	ESLABON	LINK	MAILLON	
31	021441	1	ARANDELA	WASHER	RONDELLE	
32	180122	1	CONTRATUERCA	LOCK NUT	ECROU DE BLOCAGE	
33	268847	1	PALANCA	LEVER	LEVIER	
34	230086	1	CASQUILLO	BUSH	BAGUE	

080202  
080205





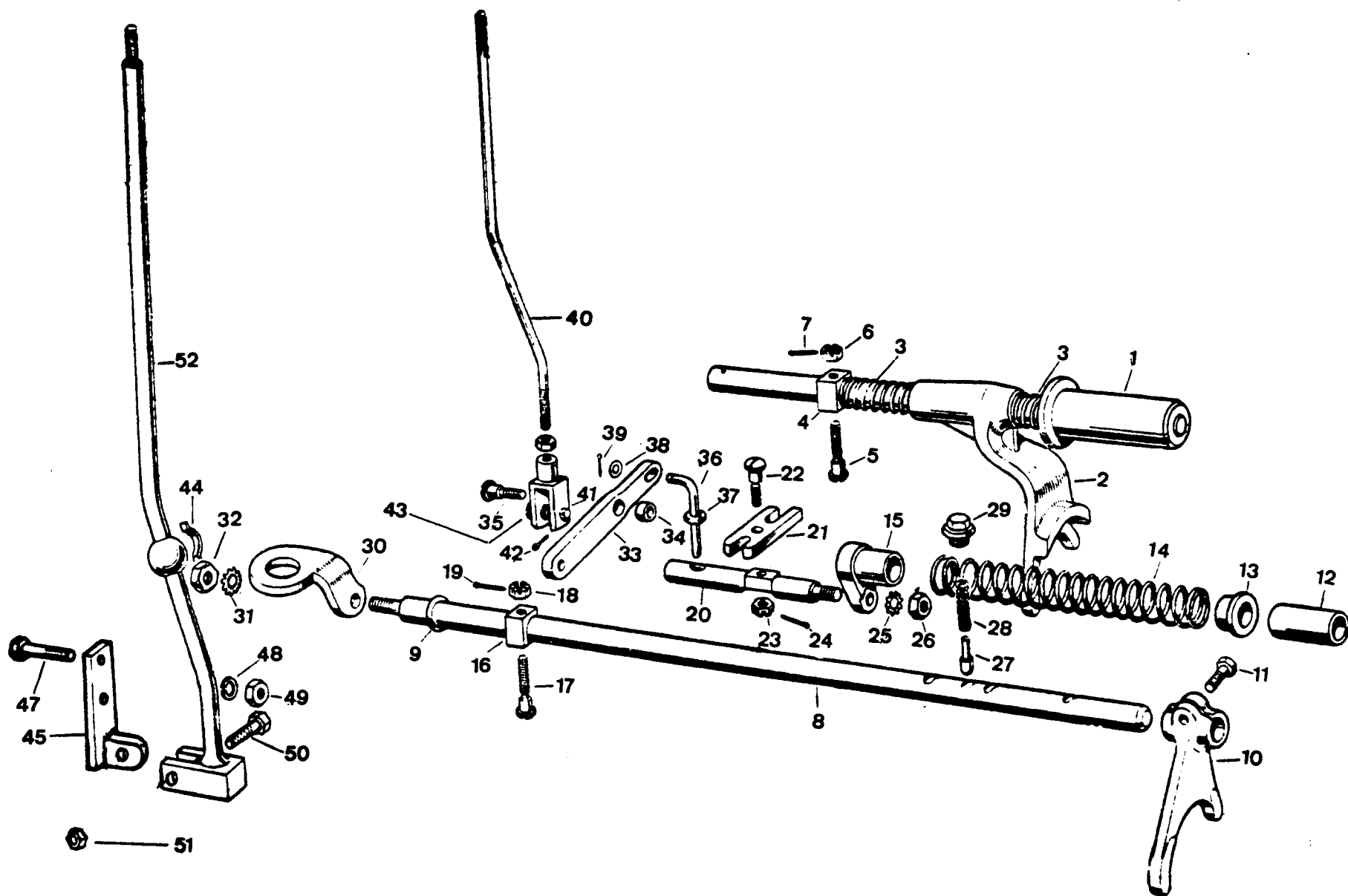
PUBLICACION N 390013  
EDICION N 1

GRUPO=ER CAJA DE TRANSFERE  
GRUPO=ER TRANSFER CASING  
GRUPO=ER BOITE DE TRANSFER

SUBGRUPO=PALANCA Y TI ROVE 4C  
SUBGRUPO=SELECTOR SHA ROVE 4C  
SUBGRUPO=DISPOSITIF D RCVE 4C

N.FIG PLATE N.FIG	N.PIEZA PARTNUMBER N.PIECE	CAN QTY OUT	DENOMINACION	DESCRIPTION	DENOMINATION	C H A S I S
35	540842	1	TORNILLO	BOLT	BOULON	
36	232464	1	TORNILLO	BOLT	BOULON	
37	266992	1	ANILLO	RING	ANNEAU	
38	2876	1	ARANDELA	WASHER	RONDELLE	
39	180307	1	PASADOR	PIN	GOUPILLE	
40	121172	1	PALANCA SELECTORA	SELECTOR LEVER	LEVIER SELECTION	
41	230091	1	HURQUILLA	FORK	FOURHETTE	
42	180307	1	PASADOR	PIN	GOUPILLE	
43	230279	1	BULON Y MUELLE	BOLT AND SPRING	BOULON ET RESSORT	
44	243714	1	MUELLE	SPRING	RESSORT	
45	219709	1	SOPORTE	BRACKET	SUPPORT	
46	266955	2	CASQUILLO	BUSH	BAGUE	
47	182125	2	TORNILLO	BOLT	BOULON	
48	3075	2	ARANDELA	WASHER	RONDELLE	
49	181185	2	TUERCA	NUT	ECROU	
50	182125	1	TORNILLO	BOLT	BOULON	
51	181169	1	TUERCA	NUT	ECROU	
52	127559	1	PALANCA TRANSFERENCI	TRANSFER LEVER	LEVIER TRANSFER	

080202  
080205



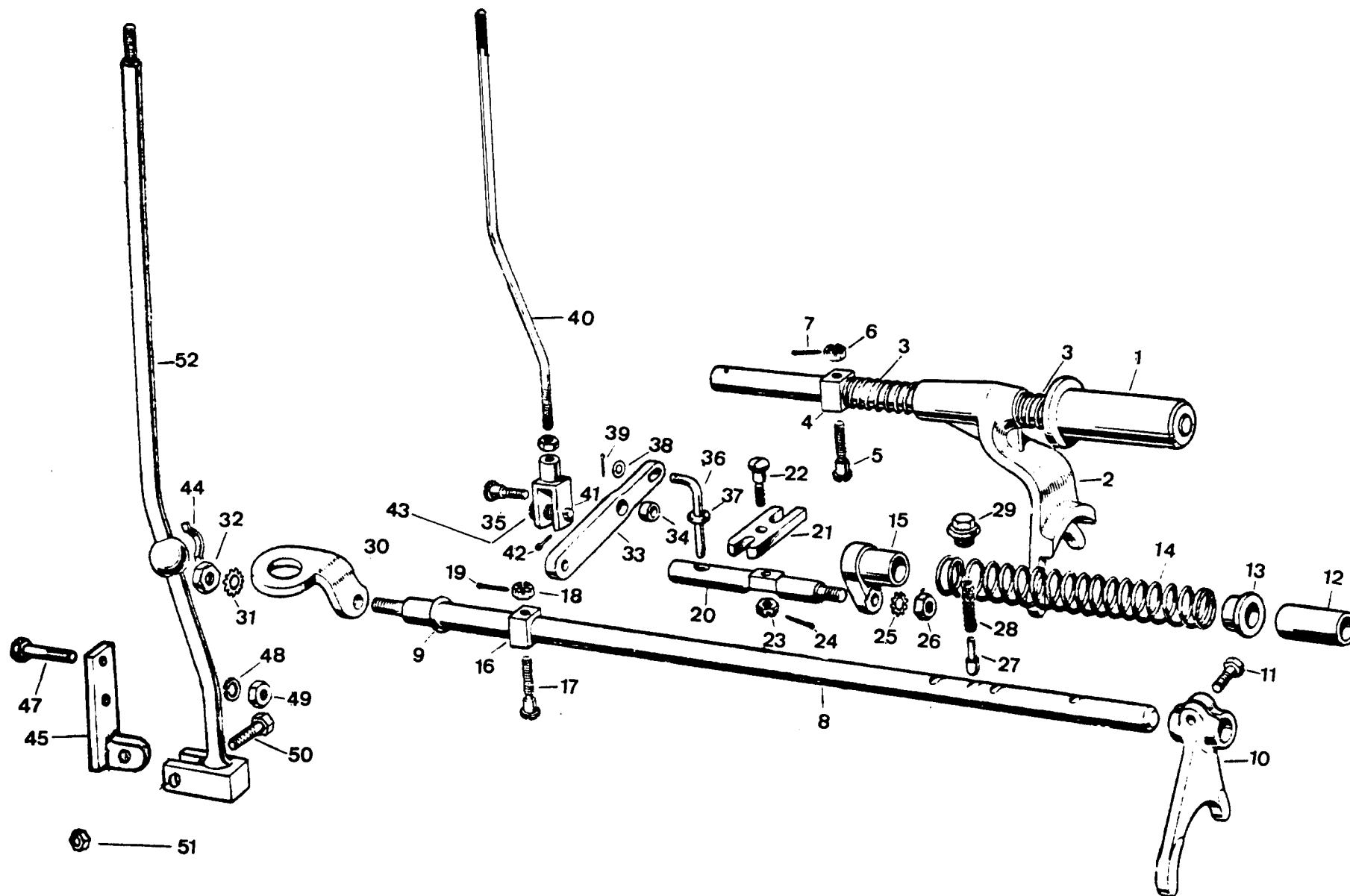
PUBLICACION N 190113  
EDICION N 1

GRUPO=3 CAJA DE TRANSFERE  
GRUPO=3 TRANSFER CASING  
GRUPO=3 BOITE DE TRANSFER

SUBGRUPO=PALANCA Y TI SANT 6C  
SUBGRUPO=SELECTOR SHA SANT 6C  
SUBGRUPO=DISPOSITIF D SANT 6C

N.FIG	N.PIEZA	CAN				
PLATE	PARTNUMBER	QTY				
N.FIG	N.PIECE	OUT	DENOMINACION	DESCRIPTION	DENOMINATION	C H A S I S
1	233416	1	EJE SELECTOR	SELECTOR SHAFT	AXE DE SELECTION	
2	622155	1	HORQUILLA	FORK	FOURCHETTE	
3	233445	2	MUELLE	SPRING	RESSORT	
4	233406	1	BLOQUE	BLOCK	BLOC	
5	233409	1	TORNILLO	BOLT	BOULON	
6	181168	1	TUERCA	NUT	ECROU	
7	180317	1	PASADOR	PIN	GOUPILLE	
8	120701	1	EJE	SHAFT	AXE	
9	515572	1	ANILLO	RING	ANNEAU	
10	120704	1	HORQUILLA	FORK	FOURCHETTE	
11	217564	1	TORNILLO	BOLT	BOULON	
12	233436	1	DISTANCIADOR	SPACER	ENTRETOISE	
13	233437	1	CASQUILLO	BUSH	BAGUE	
14	217445	1	MUELLE	SPRING	RESSORT	
15	538536	1	CASQUILLO	BUSH	BAGUE	
16	233406	1	BLOQUE	BLOCK	BLOC	
17	233409	1	TORNILLO	BOLT	BOULON	
18	181168	1	TUERCA	NUT	ECROU	
19	180317	1	PASADOR	PIN	GOUPILLE	
20	549168	1	EJE	SHAFT	AXE	
21	233407	1	ACOPLAMIENTO	COUPLING	ACCOUPEMENT	
22	549169	1	TORNILLO	BOLT	BOULON	
23	181168	1	TUERCA	NUT	ECROU	
24	180317	1	PASADOR	PIN	GOUJON	
25	054377	1	ARANDELA	WASHER	RONDELLE	
26	180187	1	TUERCA	NUT	ECROU	
27	235416	2	PISTON	PLUNGER	POUSSOIR	
28	03649	1	MUELLE	SPRING	RESSORT	
	55182	1	MUELLE	SPRING	RESSORT	
29	233441	2	TAPON	PLUG	BOUCHON	
30	238329	1	ESLABON	LINK	MAILLON	
31	021448	1	ARANDELA	WASHER	RONDELLE	
32	180122	1	CONTRATUERCA	LOCK NUT	ECROU DE BLOCAGE	
33	127382	1	PALANCA	LEVER	LEVIER	

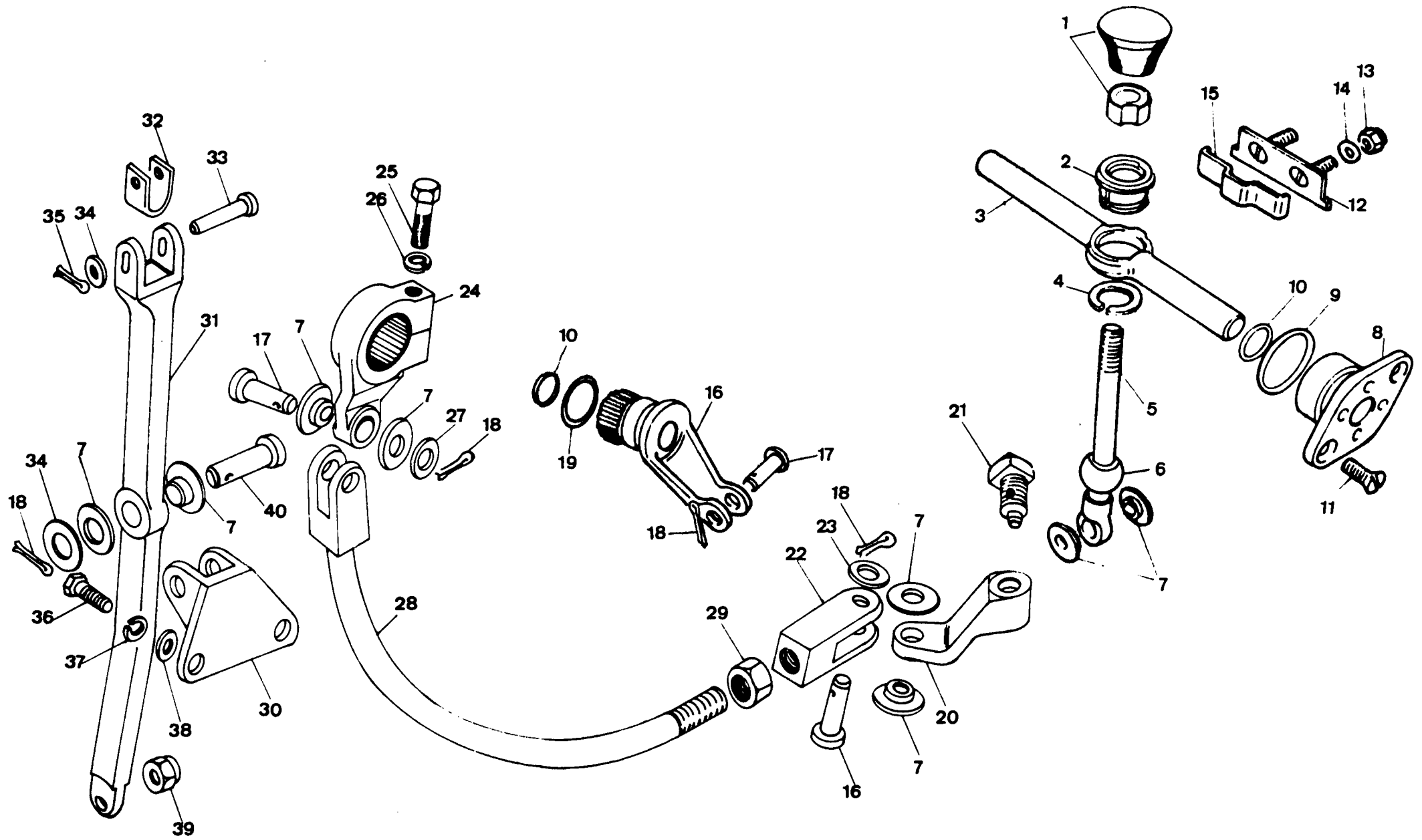
080202  
080205



PUBLICACION N 33013 GRUPO= CAJA DE TRANSFERE  
 EDICION N 1 GRUPO=3 TRANSFER CASING  
 GRUPO=1 BOITE DE TRANSFER

SUBGRUPO=PALANCA Y TI SANT 6C  
 SUBGRUPO=SELECTOR SHA SANT 6C  
 SUBGRUPO=DISPOSITIF D SANT 6C

N.FTO	N.PIEZA	CAN				
PLATE	PARTNUMBER	QTY				
N.FTO	N.PIECE	OUT	DENOMINACION	DESCRIPTION	DENOMINATION	C H A S I S
34	230176	1	CASCUTILLO	BUSH	BAGUE	
35	540842	1	TORNILLO	BOLT	BOULON	
36	232464	1	TORNILLO	BOLT	BOULON	
37	266992	1	ANILLO	RING	ANNEAU	
38	2876	S-N	ARANDELA	WASHER	RONDELLE	
39	180327	1	PASADOR	PIN	GOUILLE	
40	120843	1	PALANCA SELECTURA	SELECTOR LEVER	LEVIER	
41	230091	1	HORQUILLA	FORK	FOURCHETTE	
42	180327	1	PASADOR	PIN	GOUILLE	
43	230279	1	BOILON Y MUELLE	BOLT AND SPRING	BOULON ET RESSORT	
44	243714	1	MUELLE	SPRING	RESSORT	
45	21971451	1	SUPORTE	BRACKET	SUPPORT	
47	182125	2	TORNILLO	BOLT	BOULON	
48	3075	2	ARANDELA	WASHER	RONDELLE	
49	181189	2	TUERCA	NUT	ECROU	
50	182125	1	TORNILLO	BOLT	BOULON	
51	181189	1	TUERCA	NUT	ECROU	
52	127487	1	PALANCA	LEVER	LEVIER	

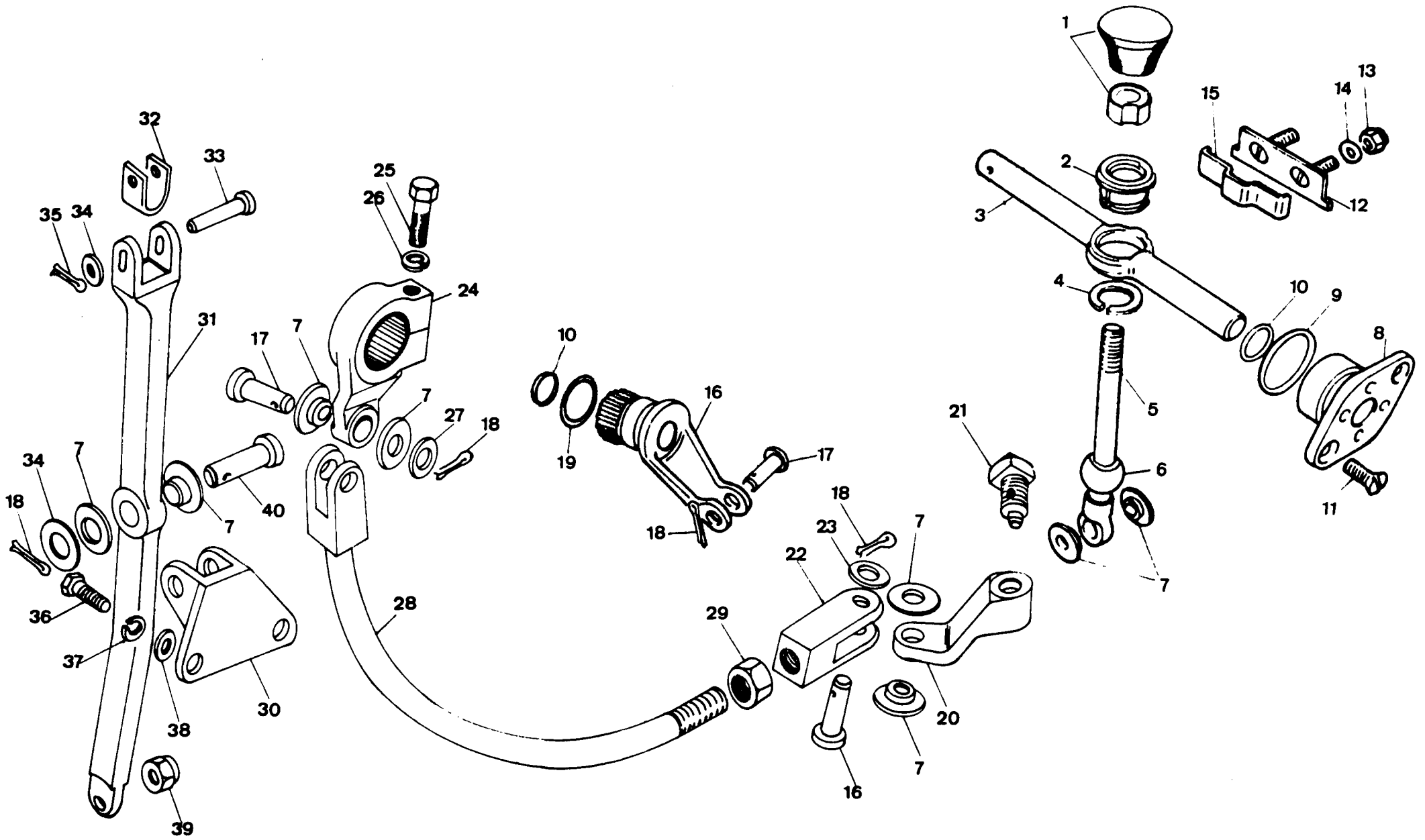


PUBLICACION N 880017  
EDICION N 1

GRUPO=CAJA DE TRANSFERE  
GRUPE=TRANSFER CASING  
GRUPE=BOITE DE TRANSFER

SUBGRUPO=PALANCA Y TIRAN 5 VE  
SUBGROUPE=LEVER AND TIRE 5SPPE  
SUBGROUPE=LEVIER ET TIRAN 5 VI

N.FIG	N.PIEZA	CAN	DENOMINACION	DESCRIPTION	DENOMINATION	C H A S I S
PLATE	PARTNUMBER	QTY				
N.FIG	N.PIECE	OUT				
1	FRC5585F1	1	IMPULSORA	KNOB	BOUTON	
2	FRC5576	1	ALOJAMIENTO	HOUSING	CARTER	
3	FRC6107	1	EJE	SHAFT	AXE	
4	CP120215	1	ARANDELA	WASHER	RONDELLE	
5	FRC6571	1	PALANCA	LEVER	LEVIER	
6	42H1112	1	ROTULA	BALL	ROTULE	
7	FRC4459	4	CASQUILLO	BUSH	BAGUE	
8	FRC5574	1	TAPA LATERAL	SIDE COVER	COUVERCLE LATERALE	
9	FRC4565	1	ANILLO	RING	ANNEAU	
10	FRC4519	2	ANILLO	RING	ANNEAU	
11	SA110201	2	TORNILLO	SCREW	VIS	
12	FRC6125	1	PLACA CON ESPARRA	PLATE WITH STUDS	PLAQUE AVEC GOUJONS	
13	NY105141	2	TUERCA	NUT	ECROU	
14	WA105101	2	ARANDELA	WASHER	RONDELLE	
15	06395	1	MUELLE	SPRING	RESSORT	
16	FRC5487	1	PALANCA	LEVER	LEVIER	
17	PC100221	2	PASADOR	PIN	GOUJON	
18	PS104121	4	PASADOR	PIN	GOUPILLE	
19	FRC5479	1	ANILLO	RING	ANNEAU	
20	FRC5465	1	PALANCA	LEVER	LEVIER	
21	UK03158	1	TORNILLO	BOLT	BOULON	
22	FRC5457	1	HORQUILLA	FORK	FOURCHETTE	
23	WA108151	1	ARANDELA	WASHER	RONDELLE	
24	FRC5478	1	PALANCA	LEVER	LEVIER	
25	BH108151	1	TORNILLO	BOLT	BOULON	
26	WA108101	1	ARANDELA	WASHER	RONDELLE	
27	WA108151	1	ARANDELA	WASHER	RONDELLE	
28	FRC6553	1	TIRANTE	TIE ROD	TIRANT	
29	NT108141	1	TUERCA	NUT	ECROU	
30	FRC6152	1	SUORTE	SUPPORT	SUPPORT	
31	FRC6151	1	PALANCA	LEVER	LEVIER	
32	FRC4515	1	NYLON	NYLON	NYLON	
33	PC105401	1	PASADOR	PIN	GOUJON	
34	WA105101	1	ARANDELA	WASHER	RONDELLE	



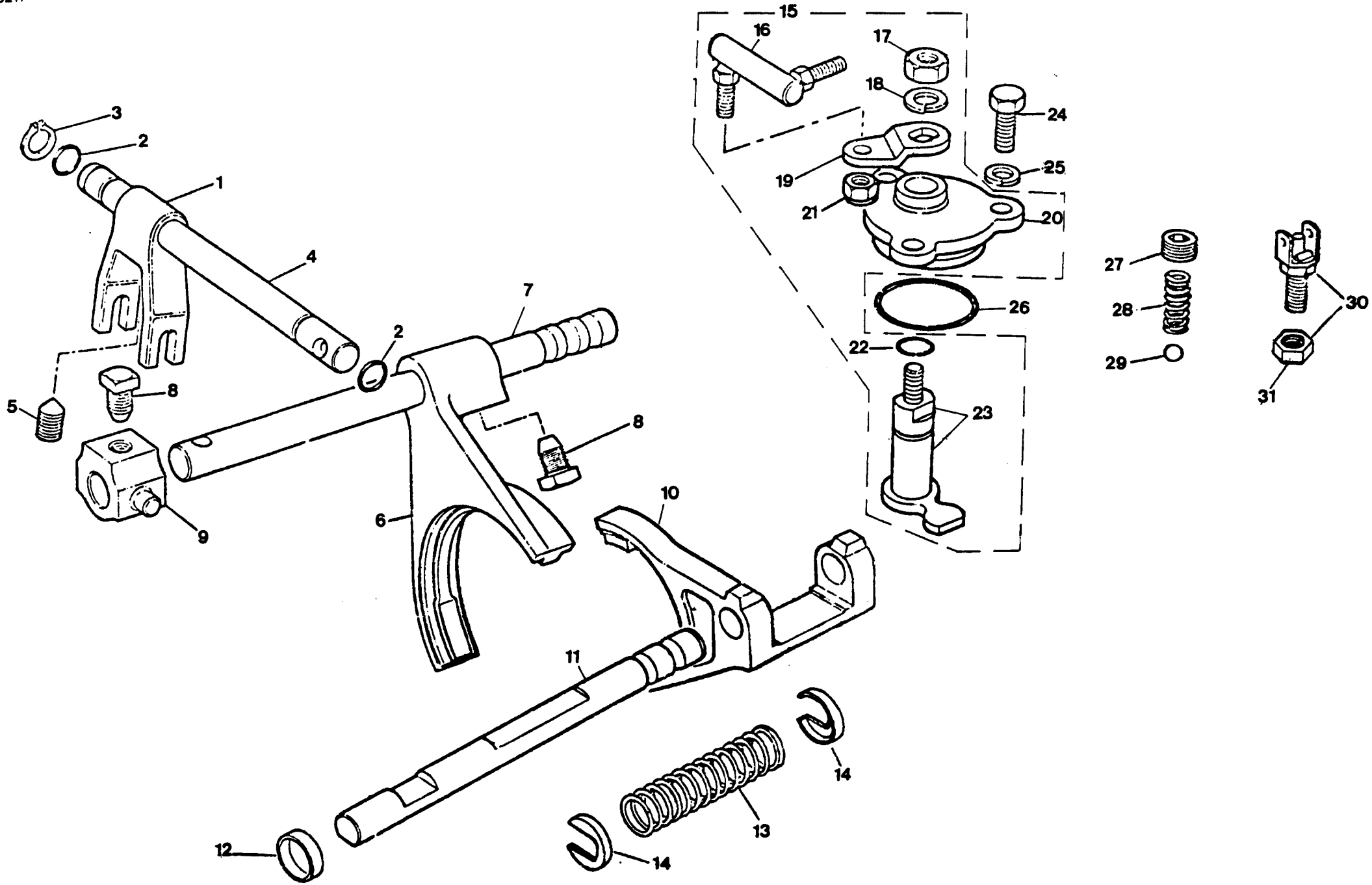


PUBLICACION N 880013  
EDICION N 1

GRUPO=08 CAJA DE TRANSFERE  
GROUP=08 TRANSFER CASING  
GROUPE=08 BOITE DE TRANSFER

SUBGRUPO=PALANCA Y TIRAN 5 VE  
SUBGROUP=LEVER AND TIRE 5SPPE  
SUBGROUPE=LEVIER ET TIRAN 5 VI

N.FIG	N.PIEZA	CAN				
PLATE	PARTNUMBER	QTY				
N.FIG	N.PIECE	OUT	DENOMINACION	DESCRIPTION	DENOMINATION	C H A S I S
35	PS103101	1	PASADOR	PIN	GOUVILLE	
36	SH108251	2	TORNILLO	BOLT	BOULON	
37	WL108001	2	ARANDELA	WASHER	RONDELLE	
38	2249	2	ARANDELA	WASHER	RONDELLE	
39	NY604041	2	TUERCA	NUT	ECROU	
40	PC108401	1	PASADOR	PIN	GOUJON	



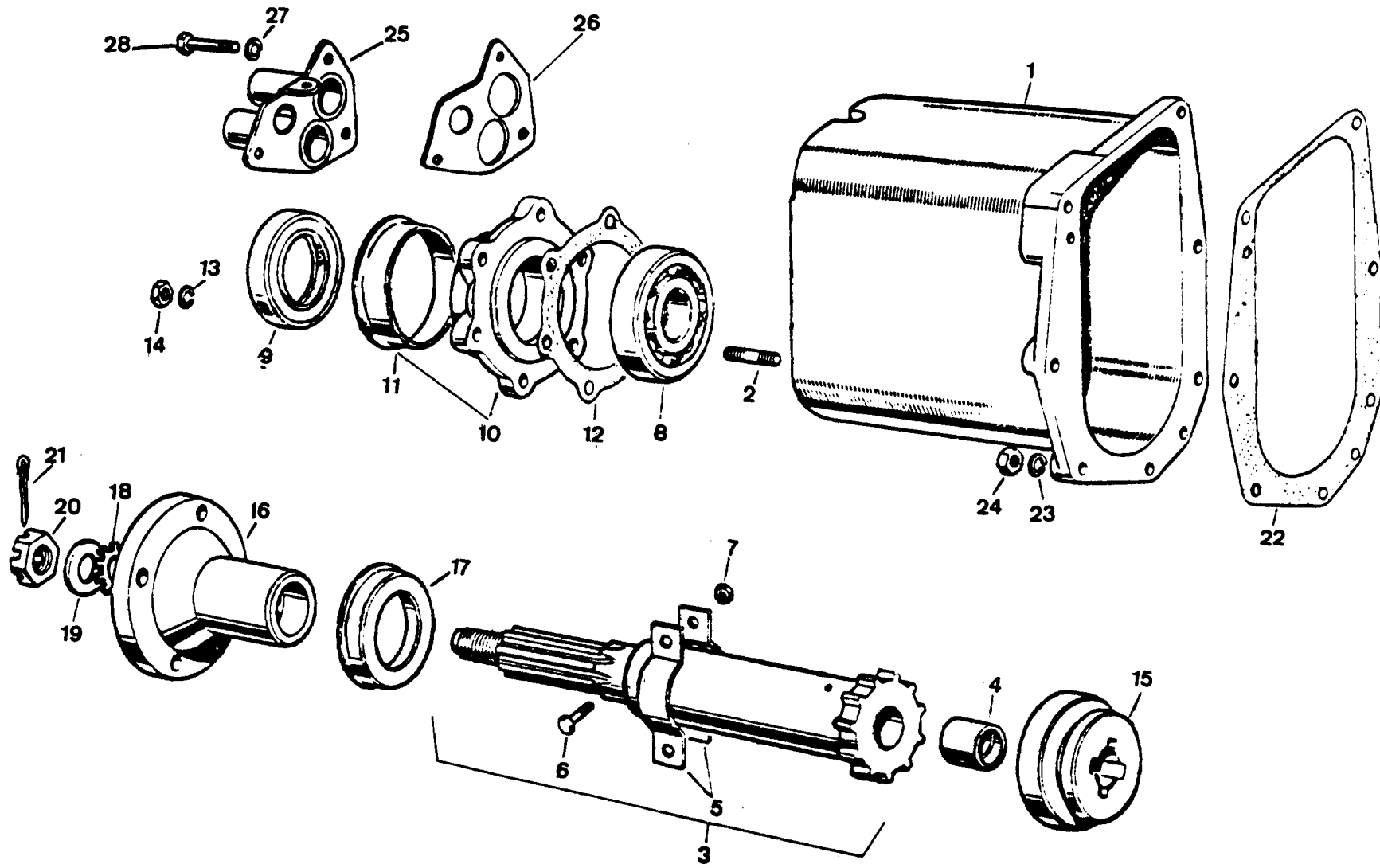
PUBLICACION N 880013  
EDICION N 1

GRUPO=03 CAJA DE TRANSFERE  
GROUP=03 TRANSFER CASING  
GROUPE=03 BOITE DE TRANSFER

SUBGRUPO=HORQUILLAS 5 VELOCID  
SUBGROUP=FORKS 5 SPEED  
SUEGROUPE=FOURCHETTE 5 VITESSE

N.FIG	N.PIEZA	CAN				
PLATE	PARTNUMBER	QTY				
N.FIG	N.PIECE	OUT	DENOMINACION	DESCRIPTION	DENOMINATION	C H A S I S
1	FRC5461	1	HORQUILLA	FORK	FOURCHETTE	
2	FRC5575	1	ANILLO	RING	ANNEAU	
3	CR120125	1	ANILLO ELASTICO	CIRCLIP	CIRCLIP	
4	FRC6085	1	EJE TRANSVERSAL	TRANSVERSE SHAFT	AXE TRANSVERSAL	
5	ST110161	1	TORNILLO	SCREW	VIS	
6	FRC5458	1	HORQUILLA	FORK	FOURCHETTE	
7	FRC5459	1	EJE	SHAFT	AXE	
8	UKC3058	2	TORNILLO	SCREW	VIS	
9	FRC5460	1	BLOQUE SELECTOR	SELECTOR BLOCK	BLOC SELECTIV	
10	FRC6109	1	HORQUILLA	FORK	FOURCHETTE	
11	FRC6130	1	EJE	SHAFT	AXE	
12	FRC6110	1	CASQUILLO	BUSH	BAGUE	
13	FRC5468	1	MUELLE	SPRING	RESSORT	
14	FRC5469	2	CLIP	CLIP	CLIP	
15	FRC6059	1	CONJ DEDO SELECTOR	SELECTOR FINGER ASSY	ENS DOIGT SELECTI	
16	FRC5052	1	PALANCA	LEVER	LEVIER	
17	NH108041	1	TUERCA	NUT	ECROU	
18	WL108001	1	ARANDELA	WASHER	RONDELLE	
19	FRC6127	1	PALANCA	LEVER	LEVIER	
20	FRC6108	1	ALOJAMIENTO	HOUSING	CARTER	
21	NY604041	2	TUERCA	NUT	ECROU	
22	FRC5576	1	ANILLO	RING	ANNEAU	
23	FRC6128	1	DEDO	FINGER	DOIGT	
24	SH108251	3	TORNILLO	BOLT	BOULON	
25	WL108001	3	ARANDELA	WASHER	RONDELLE	
26	FRC5473	1	ANILLO	RING	ANNEAU	
27	SU112101	2	TAPON	PLUG	BOUCHON	
28	FRC5562	2	RESORTE	SPRING	RESSORT	
29	571146	2	BOLA	BALL	BILLE	
30	PRC2911	1	INTERRUPTOR	SWITCH	INTERRUPTEUR	
31	22A1613	1	TUERCA	NUT	ECROU	

080304  
080307



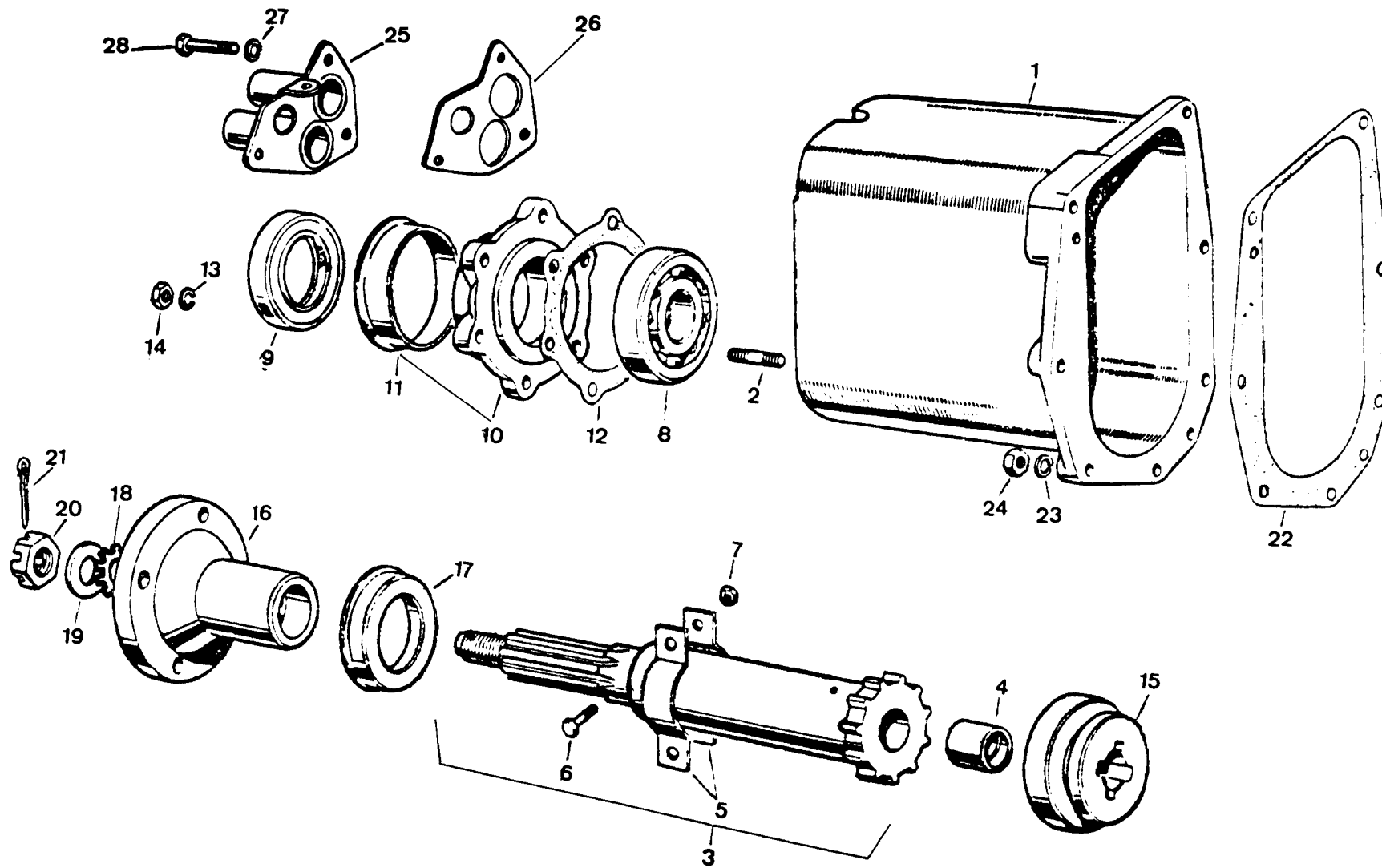
PUBLICACION N 880213  
EDICION N 1

GRUPO=CAJA DE TRANSFERE  
GRUPE=FR TRANSFER CASING  
GRUPE=FR BOITE DE TRANSFER

SUBGRUPO=CAJA DEL EJE ROVE 40  
SUBGRUPE=FRONT OUTPUT ROVE 40  
SUBGRUPE=CAPTER D ARBRE ROVE40

N.FIG PLATE N.FIG	N.PIEZA PARTNUMBER N.PIECE	CAN QTY OUT	DENOMINACION	DESCRIPTION	DENOMINATION	C H A S I S
1	268849	1	CARTER	HOUSING	CARTER	
2	217978	6	ESPARRAGO	STUD	GOUJON	
3	243611	1	CONJ EJE DE SALIDA	FRONT OUTPUT SHAFT	ENSEMBLE D'ARBRE DE	
4	58566	1	CASQUILLO	BUSH	RAGUE	
5	243873	2	DEFLECTOR	OIL THROUPE	DEFLECTEUR	
6	180289	2	TORNILLO	BOLT	BOULON	
7	181107	2	TUERCA	NUT	ECROU	
8	217325	1	RODAMIENTO	BEARING	ROULEMENT	
9	FRC1780	1	RETEN	OIL SEAL	APRETOIR	
10	236541	1	GUARDAPOLVOS	DUST COVER	PARE-POUSSIERE	
11	236548	1	GUARDAPOLVOS	DUST COVER	PARE-POUSSIERE	
12	234525	1	JUNTA	JOINT	JOINT	
13	3075	6	ARANDELA	WASHER	RONDELLE	
14	180108	6	TUERCA	NUT	ECROU	
15	233241	1	GARRA	LOCKING JOG	GPABOT	
16	237912	1	GRIDA	FLANGE	FLARQUE	
17	236074	1	GUARDAPOLVOS	MUDSHIELD	PARE-POUSSIERE	
18	501412	1	RETEN	OIL SEAL	APRETOIR	
19	3300	1	ARANDELA	WASHER	RONDELLE	
20	AFU1242	1	TUERCA	NUT	ECROU	
21	180309	1	PASADOR	SPLIT PIN	SCUPILLE	
22	233448	1	JUNTA	JOINT	JOINT	
23	3075	7	ARANDELA	WASHER	RONDELLE	
24	180108	7	TUERCA	NUT	ECROU	
25	266956	1	GUARDAPOLVOS	DUST COVER	PARE-POUSSIERE	
26	120375	1	JUNTA	JOINT	JOINT	
27	3074	3	ARANDELA	WASHER	RONDELLE	
28	215769	3	TORNILLO	BOLT	BOULON	

080304  
080307

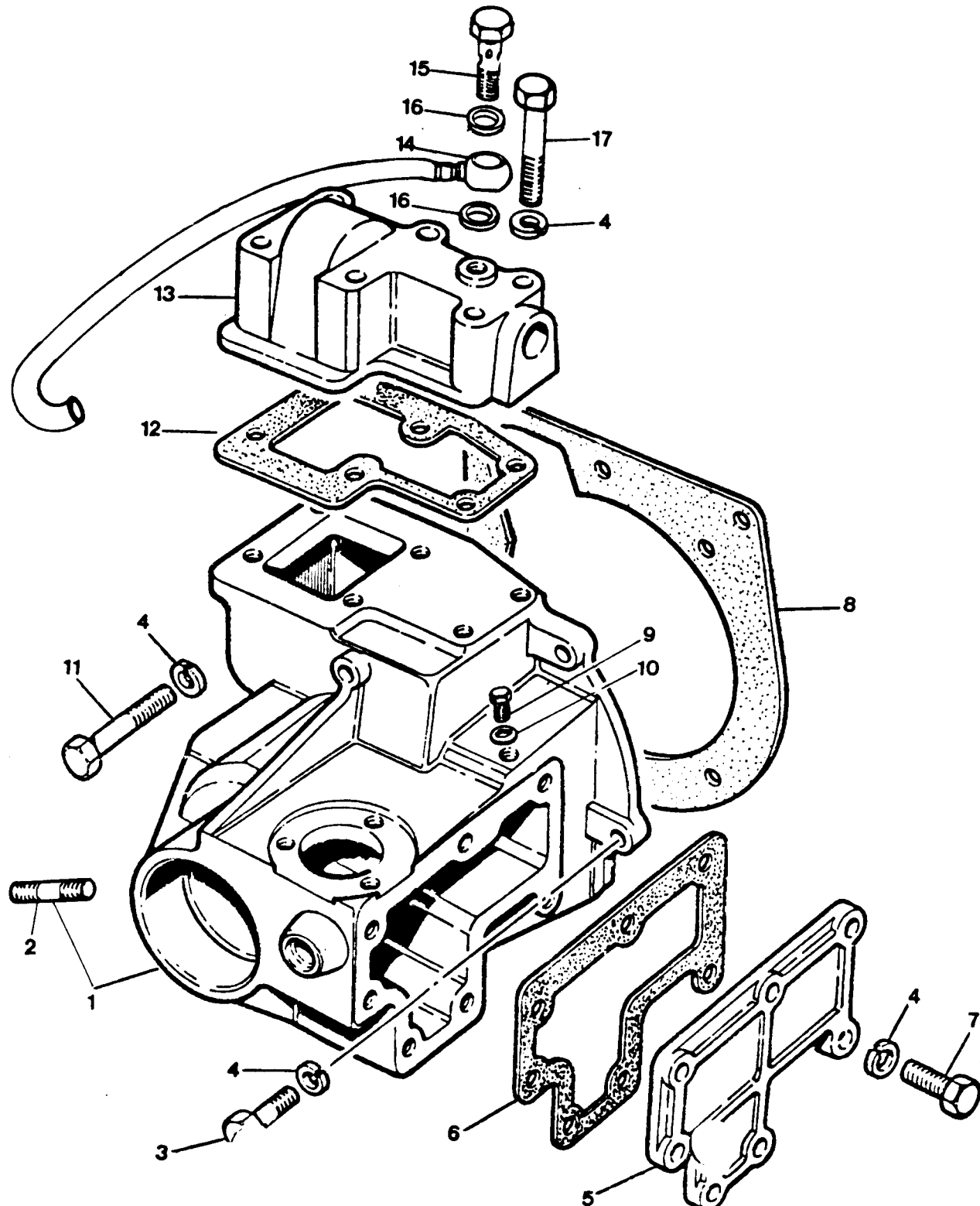


PUBLICACION N 880313  
EDICION N 1

GRUPO=03 CAJA DE TRANSFERE  
GRUPO=03 TRANSFER CASING  
GRUPO=03 BOITE DE TRANSFER

SUBGRUPO=CAJA DEL EJE SANT 6C  
SUBGRUPO=FRONT OUTPUT SANT 6C  
SUBGRUPO=CARTER D ARBR SANT6C

N.FIG PLATE N.FIG	N.PIEZA PARTNUMBER N.PIECE	CAN QTY OUT	DENOMINACION	DESCRIPTION	DENOMINATION	C H A S I S
1	266811F1	1	CARTER	HOUSING	CARTER	
2	217978	6	ESPARRAGO	STUD	GOIJON	
3	243611	1	CONJ EJE DE SALIDA	FRONT OUTPUT SHAFT	ENSEMBLE D'ARBRE DE	
4	28566	1	CASQUILLO	BUSH	BAGUE	
5	243873	2	DEFLECTOR	OIL THROWER	DEFLECTEUR	
6	180219	2	TORNILLO	BOLT	BOULON	
7	181167	2	TUERCA	NUT	ECROU	
8	217321	1	RODAMIENTO	BEARING	ROULEMENT	
9	FRC1780	1	RETEN	OIL SEAL	APRETOIR	
10	236541	1	GUARDAPOLVOS	DUST COVER	PARE-POUSSIÈRE	
11	236543	1	GUARDAPOLVOS	DUST COVER	PARE-POUSSIÈRE	
12	234525	1	JUNTA	JOINT	JOINT	
13	3075	6	ARANDELA	WASHER	RONDELLE	
14	180108	6	TUERCA	NUT	ECROU	
15	233241	1	GARRA	LOCKING DOG	CRABOT	
16	237912	1	BRIDA	FLANGE	FLARQUE	
17	236074	1	GUARDAPOLVOS	MUDSHIELD	PARE-POUSSIÈRE	
18	501417	1	RETEN	OIL SEAL	APRETOIR	
19	3300	1	ARANDELA	WASHER	RONDELLE	
20	AFU1242	1	TUERCA	NUT	ECROU	
21	180309	1	PASADOR	SPLIT PIN	GOUPILLE	
22	233441	1	JUNTA	JOINT	JOINT	
23	3075	7	ARANDELA	WASHER	RONDELLE	
24	180108	7	TUERCA	NUT	ECROU	
25	266956	1	GUARDAPOLVOS	DUST COVER	PARE-POUSSIÈRE	
26	120371	1	JUNTA	JOINT	JOINT	
27	3074	3	ARANDELA	WASHER	RONDELLE	
28	215760	3	TORNILLO	BOLT	BOULON	



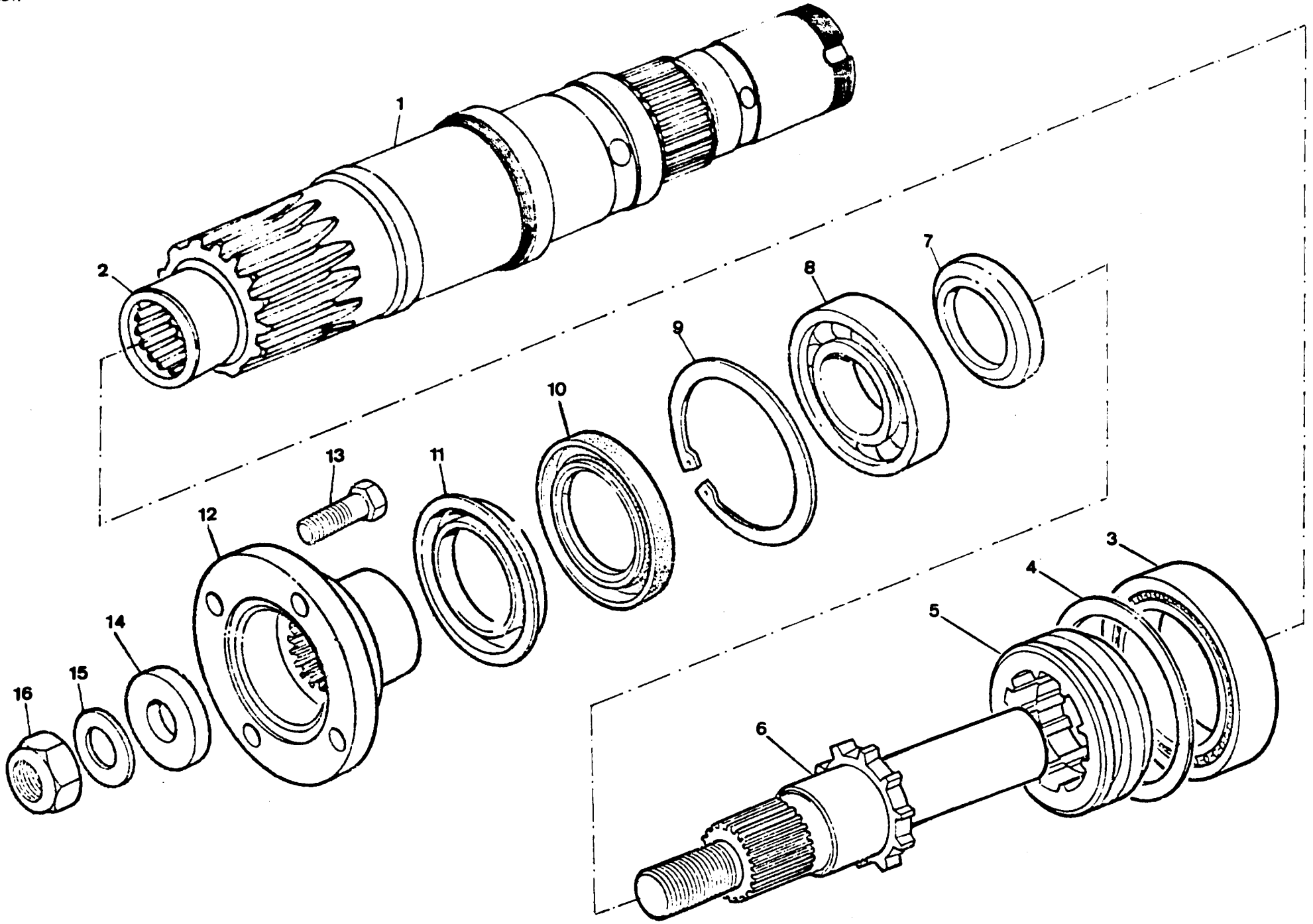


PUBLICACION N 880013  
EDICION N 1

GRUPO=08 CAJA DE TRANSFERE  
GROUP=08 TRANSFER CASING  
GROUPE=08 BOITE DE TRANSFER

SUBGRUPO=CAJA DEL EJE 5 VELOC  
SUBGROUP=FRONT OUTPUT 5 SPEED  
SUBGROUPE=CARTER D ARBR 5 VITE

N.FIG PLATE	N.PIEZA PARTNUMBER	CAN QTY	DENOMINACION	DESCRIPTION	DENOMINATION	C H A S I S
N.FIG	N.PIECE	OUT				
1	127551	1	CARTER	HOUSING	CARTER	
2	121212	4	ESPARRAGO	STUD	GOUJON	
3	BH108061	7	TORNILLO	BOLT	BOULON	
4	WL108001	21	ARANDELA	WASHER	RONDELLE	
5	FRC6104	1	TAPA	COVER	COUVERCLE	
6	FRC6105	1	JUNTA	JOINT	JOINT	
7	SH108251	7	TORNILLO	BOLT	BOULON	
8	FRC6103	1	JUNTA	JOINT	JOINT	
9	121169	1	TORNILLO	SCREW	VIS	
10	233220	1	ARANDELA	WASHER	RONDELLE	
11	BH108181	1	TORNILLO	BOLT	BOULON	
12	FRC6107	1	JUNTA	JOINT	JOINT	
13	FRC6106	1	TAPA	COVER	COUVERCLE	
14	595477	1	MANGUITO	SLEEVE	MANCHON	
15	595478	1	TORNILLO	BOLT	BOULON	
16	599575	2	ARANDELA	WASHER	RONDELLE	
17	BH108111	6	TORNILLO	BOLT	BOULON	



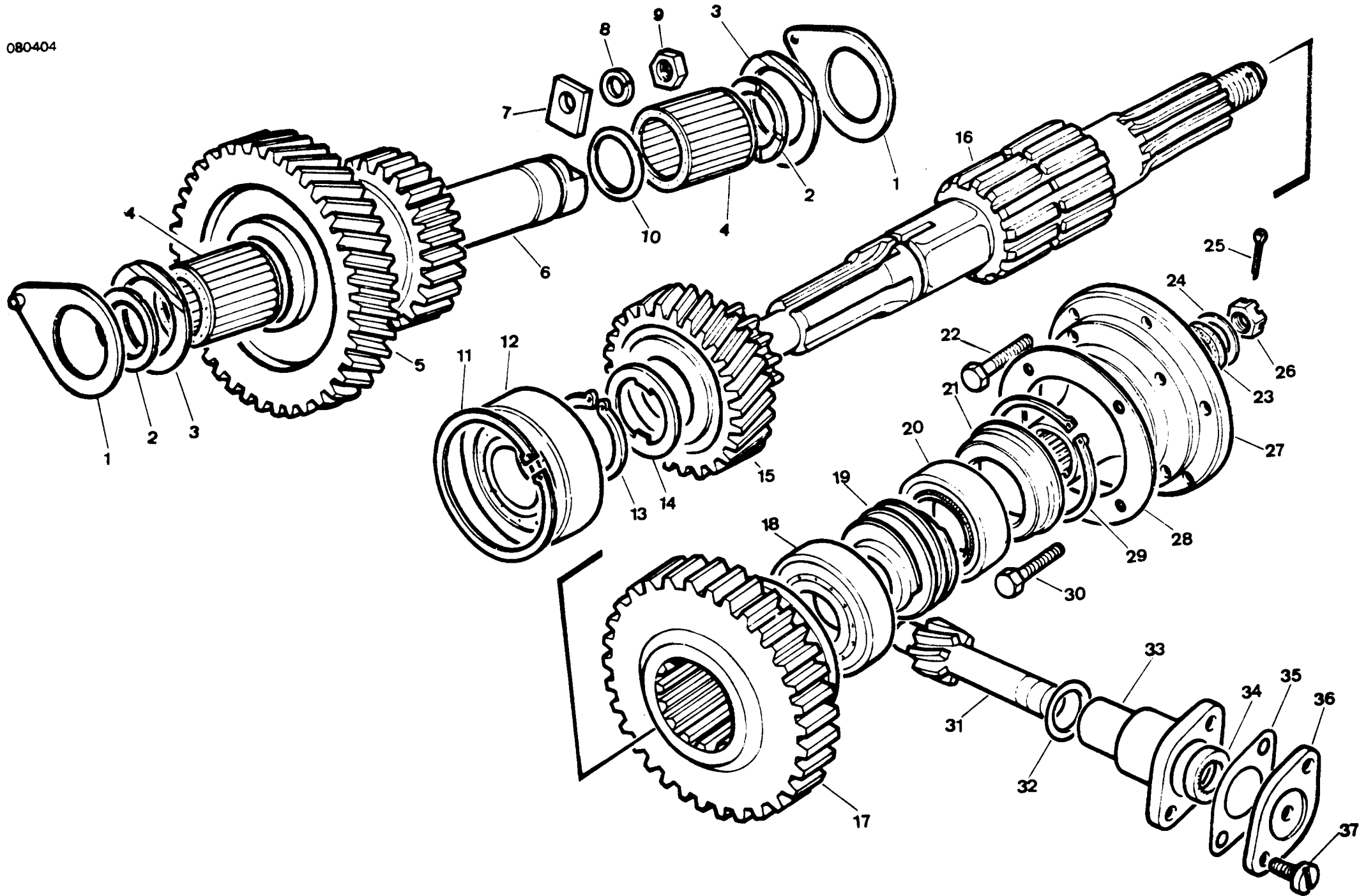
PUBLICACION N 390013  
EDICION N 1

GRUPO=13 CAJA DE TRANSFERE  
GROUP=13 TRANSFER CASING  
GROUPE=13 BOITE DE TRANSFER

SUBGRUPO=EJE DE SALID 5 VELOC  
SUBGROUPE=OUTPUT SHAFT 5 SPEED  
SUBGROUPE=ARBRE DE SOR 5 VITES

N.FIG	N.PIEZA	CAN				
PLATE	PARTNUMBER	QTY				
N.FIG	N.PIECE	QTY	DENOMINACION	DESCRIPTION	DENOMINATION	C H A S I S
1	FRC6069	1	EJE	SHAFT	AXE	
2	FRC5498	1	RODAMIENTO	BEARING	ROULEMENT	
3	12748	1	RODAMIENTO	BEARING	ROULEMENT	
4	FRC6501	S-N	SUPLEMENTO 1 80 MM	SHIM 0 80 MM	SUPPLEMENT 0 80 MM	
	FRC6504	S-N	SUPLEMENTO 2 00 MM	SHIM 2 00 MM	SUPPLEMENT 2 00 MM	
	FRC6506	S-N	SUPLEMENTO 2 10 MM	SHIM 2 10 MM	SUPPLEMENT 2 10 MM	
	FRC6508	S-N	SUPLEMENTO 2 20 MM	SHIM 2 20 MM	SUPPLEMENT 2 20 MM	
	FRC6510	S-N	SUPLEMENTO 2 30 MM	SHIM 2 30 MM	SUPPLEMENT 2 30 MM	
	FRC6512	S-N	SUPLEMENTO 2 40 MM	SHIM 2 40 MM	SUPPLEMENT 2 40 MM	
	FRC6514	S-N	SUPLEMENTO 2 50 MM	SHIM 2 50 MM	SUPPLEMENT 2 50 MM	
	FRC6516	S-N	SUPLEMENTO 2 60 MM	SHIM 2 60 MM	SUPPLEMENT 2 60 MM	
	FRC6518	S-N	SUPLEMENTO 2 70 MM	SHIM 2 70 MM	SUPPLEMENT 2 70 MM	
	FRC6520	S-N	SUPLEMENTO 2 80 MM	SHIM 2 80 MM	SUPPLEMENT 2 80 MM	
	FRC6522	S-N	SUPLEMENTO 2 90 MM	SHIM 2 90 MM	SUPPLEMENT 2 90 MM	
	FRC6524	S-N	SUPLEMENTO 3 00 MM	SHIM 3 00 MM	SUPPLEMENT 3 00 MM	
	FRC6526	S-N	SUPLEMENTO 3 10 MM	SHIM 3 10 MM	SUPPLEMENT 3 10 MM	
	FRC6528	S-N	SUPLEMENTO 3 20 MM	SHIM 3 20 MM	SUPPLEMENT 3 20 MM	
5	FRC5440	1	GARRA	LUCKING DOG	GRABOT	
6	FRC5500	1	EJE	SHAFT	AXE	
7	FRC5439	1	SEPARADOR	SPACER	ENTRETOISE	
8	214797	1	RODAMIENTO	BEARING	ROULEMENT	
9	216962	1	ANILLO FLASTICO	CIRCLIP	CIRCLIP	
10	FRC7043	1	RETEN	OIL SEAL	ARRETOIR	
11	FRC6121	1	GUARDAPOLVOS	DUST COVER	PARE POUSSIERE	
12	FRC5442	1	BRIDA	FLANGE	FLARQUE	
13	184249	4	TORNILLO	BOLT	BOULON	
14	571468	1	ARANDELA	WASHER	RONDELLE	
15	FRC2464	1	ARANDELA	WASHER	RONDELLE	
16	NY120041	1	TUERCA	NUT	ECROU	

080404



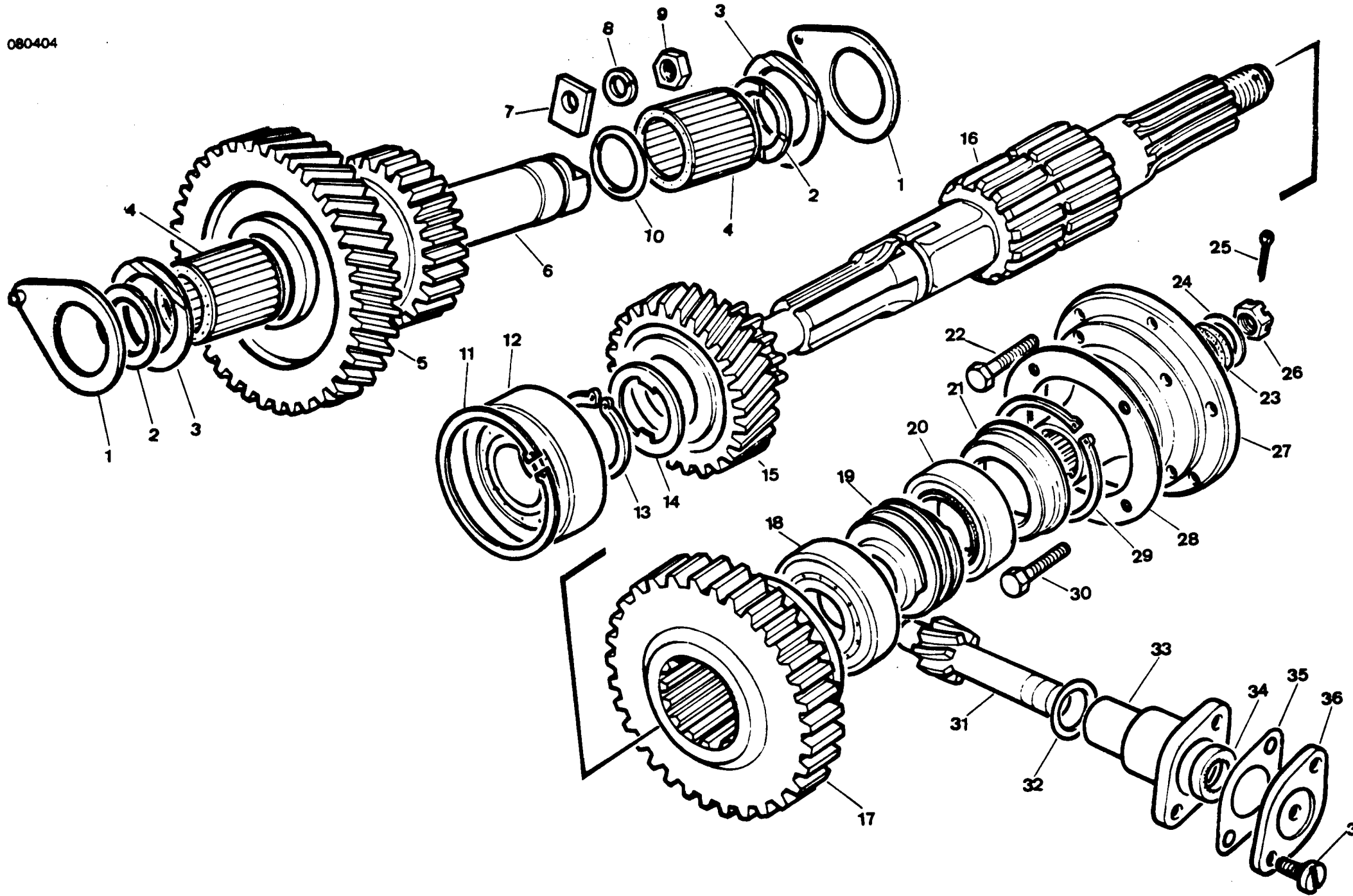
PUBLICACION N 880013  
EDICION N 1

GRUPO=08 CAJA DE TRANSFERE  
GROUP=08 TRANSFER CASING  
GROUPE=08 BOITE DE TRANSFER

SUBGRUPO=ENGRANAJES 6C  
SUBGROUP=GEARS 6C  
SUBGROUPE=ENGRANAGES 6C

N.FIG	N.PIEZA	CAN	DENOMINACION	DESCRIPTION	DENOMINATION	C H A S I S
PLATE	PARTNUMBER	QTY				
N.FIG	N.PIECE	OUT				
1	FRC1112	2	ARANDELA	WASHER	RONDELLE	
2	FRC1115	2	ARANDELA	WASHER	RONDELLE	
3	FRC1114F1	2	ARANDELA	WASHER	RONDELLE	
4	599869	2	RODAMIENTO	BEARING	ROULEMENT	
5	120644	1	ENGRANAJE	GEAR	ENGRANAGE	
6	FRC1116F1	1	EJE	SHAFT	AXE	
7	217484	1	PLACA	PLATE	PLAQUE	
8	3C75	1	ARANDELA	WASHER	RONDELLE	
9	180107	1	TUERCA	NUT	ECROU	
10	532323	1	ANILLO	RING	ANNEAU	
11	217526	1	ANILLO ELASTICO	CIRCLIP	CIRCLIP	
12	217490	1	RODAMIENTO	BEARING	ROULEMENT	
13	713101	1	ANILLO ELASTICO	CIRCLIP	CIRCLIP	
14	217488	1	ARANDELA	WASHER	RONDELLE	
15	121122	1	ENGRANAJE	GEAR	ENGRANAGE	
16	591429F1	1	EJE	SHAFT	AXE	
17	120702	1	ENGRANAJE	GEAR	ENGRANAGE	
18	217512	1	RODAMIENTO	BEARING	ROULEMENT	
19	540004	1	SINFIN	ENDLESS	SANSFIN	
20	FRC1780	1	RETEN	RETAINER	ARRETOIR	
21	236074	1	GUARDAPOLVOS	DUST COVER	CAPUCHON	
22	217564	6	TORNILLO	BOLT	BOULON	
23	622042	2	RETEN	RETAINER	ARRETOIR	
24	3300	1	ARANDELA	WASHER	RONDELLE	
25	180309	1	PASADOR	PIN	GOUPILLE	
26	AFU1242	1	TUERCA	NUT	ECROU	
27	236630	1	BRIDA	FLANGE	FLARQUE	
28	217568	1	BRIDA	FLANGE	FLARQUE	
29	217546	1	ANILLO ELASTICO	CIRCLIP	CIRCLIP	
30	512701	4	TORNILLO	BOLT	BOULON	
31	237982	1	EJE SINFIN	END LESS SHAFT	AXE SANS FIN	
32	267828	1	ANILLO	RING	ANNEAU	
33	268791	1	ALOJAMIENTO	HOUSING	CARTER	
34	211502	1	RETEN	RETAINER	ARRETOIR	

080404



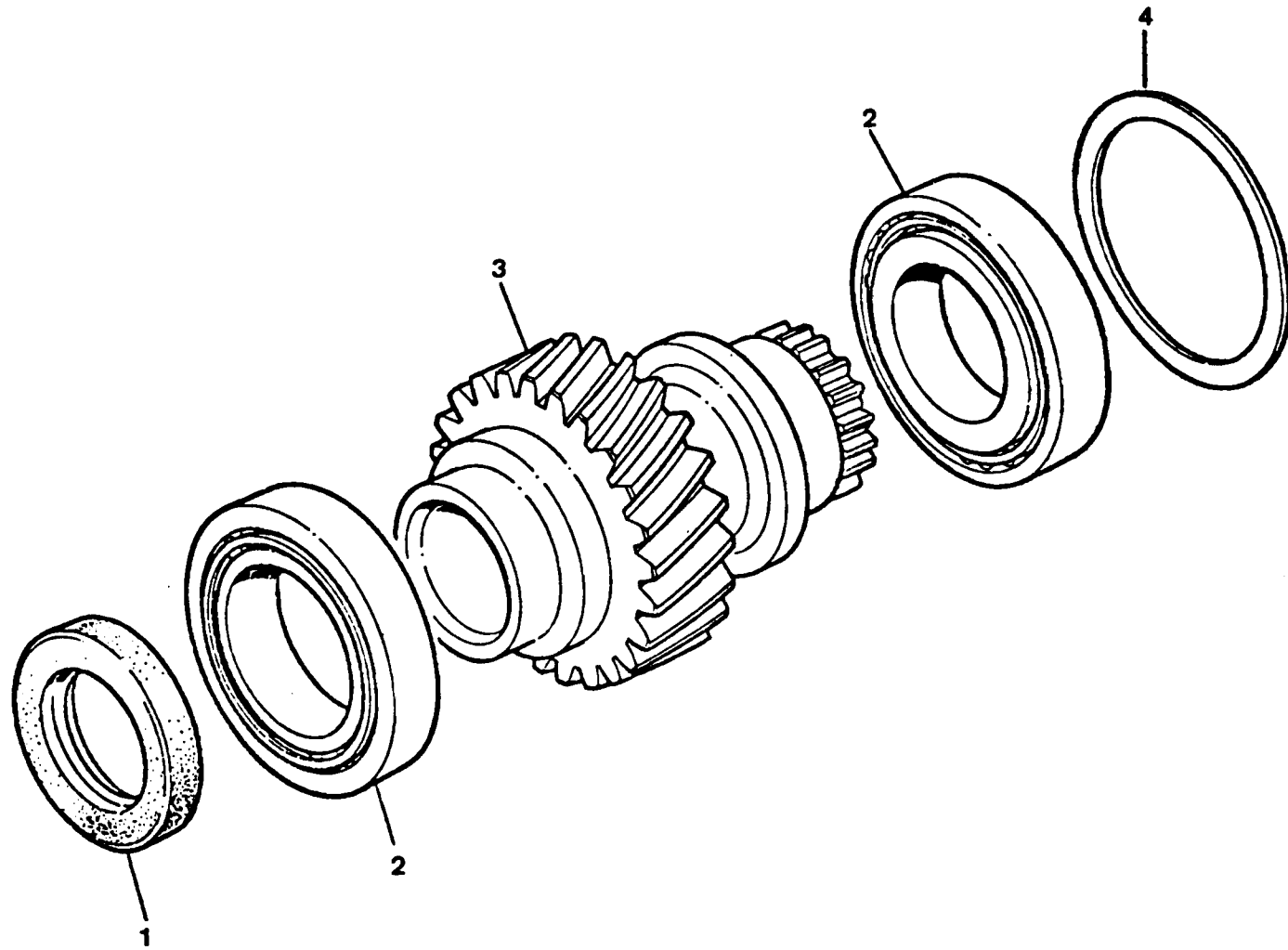
PUBLICACION N 880013  
EDICION N 1

GRUPO=03 CAJA DE TRANSFERE  
GRUPO=03 TRANSFER CASING  
GRUPO=03 BOITE DE TRANSFER

SUBGRUPO=ENGRANAJES 6C  
SUBGROUP=GEARS 6C  
SUBGROUPE=ENGRANAGES 6C

N.FIG	N.PIEZA	CAN	DENOMINACION	DESCRIPTION	DENOMINATION	C H A S I S
PLATE	PARTNUMBER	QTY				
N.FIG	N.PIECE	OUT				
35	267782	1	JUNTA	JOINT	JOINT	
36	232569	1	PLACA	PLATE	PLAQUE	
37	180103	2	TORNILLO	BOLT	BOULON	

080409





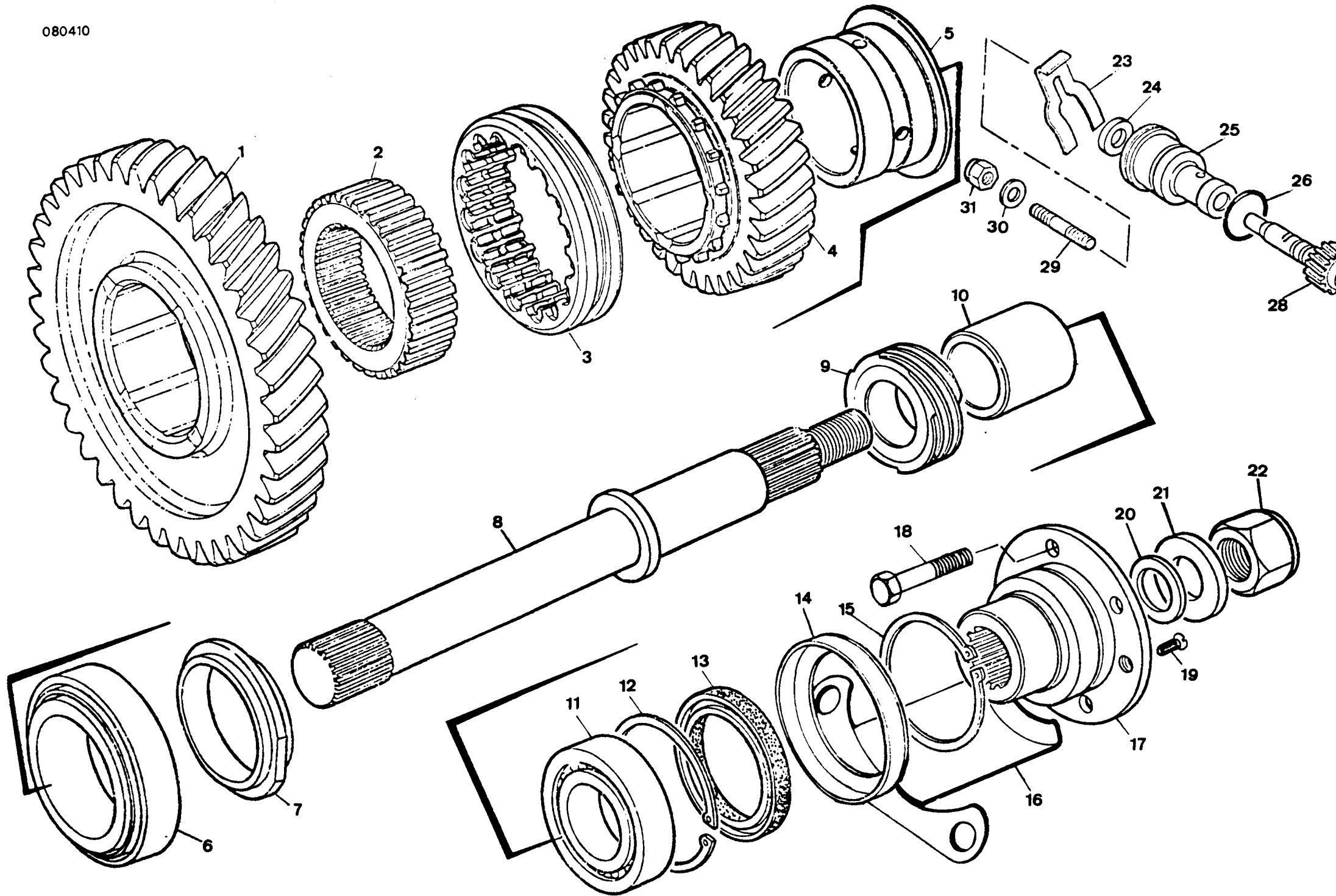
PUBLICACION N 880013  
EDICION N 1

GRUPO=08 CAJA DE TRANSFERE  
GROUP=08 TRANSFER CASING  
GROUPE=08 BOITE DE TRANSFER

SUBGRUPO=ENGRANAJES 5 VELOCID  
SUBGROUP=GEARS 5 SPEED  
SUBGROUPE=ENGRANAGES 5 VITESSE

N.FIG	N.PIEZA	CAN				
PLATE	PARTNUMBER	QTY				
N.FIG	N.PIECE	OUT	DENOMINACION	DESCRIPTION	DENOMINATION	C H A S I S
1	FRC2365	1	RETEN	OIL SEAL	ARRETOIR	
2	FRC5564	2	RODAMIENTO	BEARING	ROULEMENT	
3	FRC5428	1	ENGRANAJE PRINCIPAL	PRINCIPAL GEAR	ENGRANAGE PRINCIPAL	
4	FRC6536	S-N	SUPLEMENTO 3 20 MM	SHIM 3 20 MM	SUPPLEMENT 3 20 MM	
	FRC6538	S-N	SUPLEMENTO 3 30 MM	SHIM 3 30 MM	SUPPLEMENT 3 30 MM	
	FRC6540	S-N	SUPLEMENTO 3 40 MM	SHIM 3 40 MM	SUPPLEMENTO 3 40 MM	
	FRC6542	S-N	SUPLEMENTO 3 50 MM	SHIM 3 50 MM	SUPPLEMENT 3 50 MM	
	FRC6544	S-N	SUPLEMENTO 3 60 MM	SHIM 3 60 MM	SUPPLEMENT 3 60 MM	
	FRC6546	S-N	SUPLEMENTO 3 70 MM	SHIM 3 70 MM	SUPPLEMENTO 3 60 MM	
	FRC6548	S-N	SUPLEMENTO 3 80 MM	SHIM 3 80 MM	SUPPLEMENT 3 80 MM	
	FRC6550	S-N	SUPLENTO 3 90 MM	SHIM 3 90 MM	SUPPLEMENT 3 90 MM	
	FRC6552	S-N	SUPLEMENTO 4 00 MM	SHIM 4 00 MM	SUPPLEMENT 4 00 MM	

080410



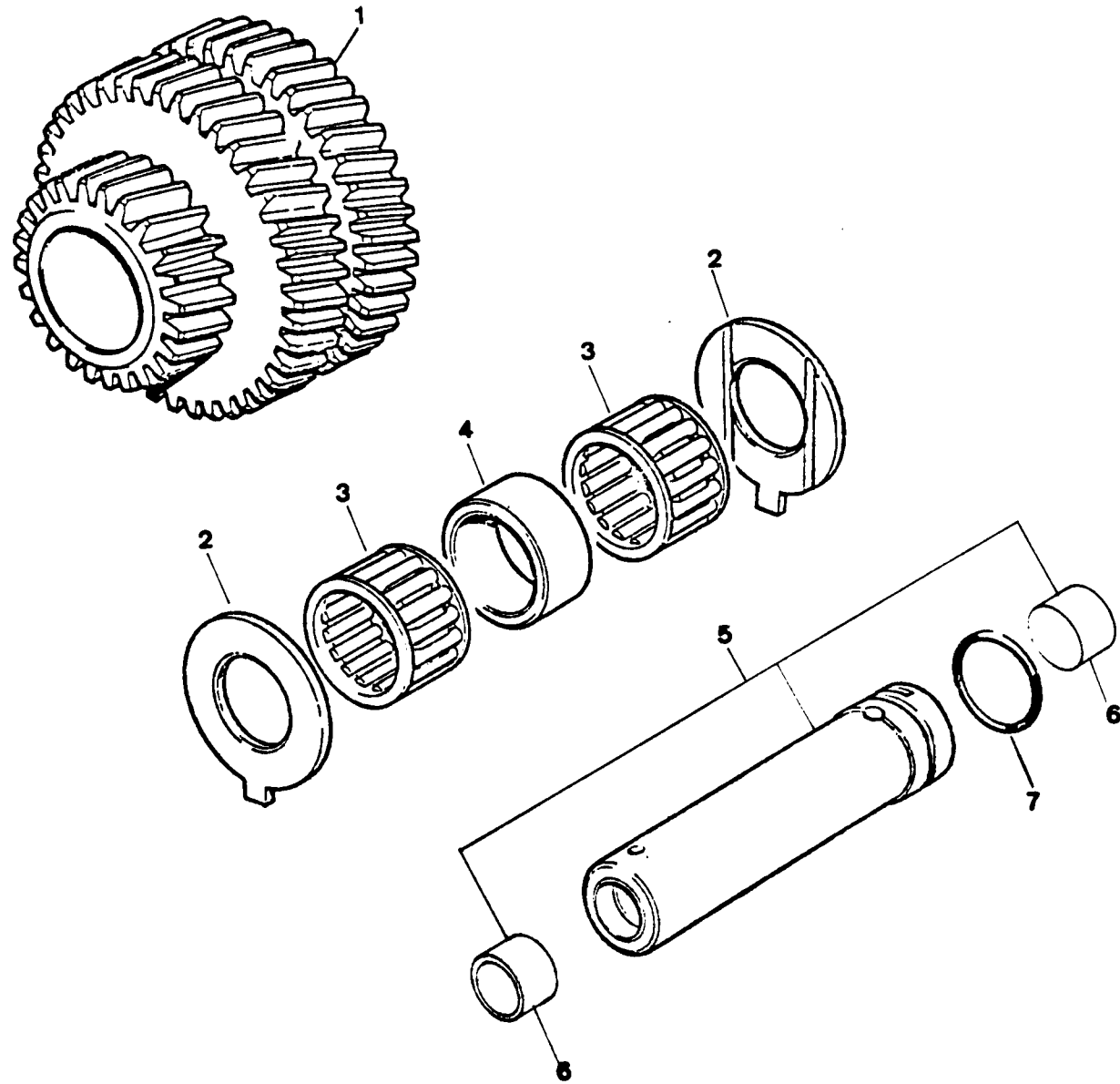
PUBLICACION N 390013  
EDICION N 1

GRUPO=09 CAJA DE TRANSFERE  
GROUP=09 TRANSFER CASING  
GROUPE=09 BOITE DE TRANSFER

SUBGRUPO=ENGRANAJES 5 VELOCID  
SUBGROUP=GEARS 5 SPEED  
SUBGROUPE=ENGRANAGES 5 VITESSE

N.FIG PLATE N.FIG	N.PIEZA PARTNUMBER N.PIECE	CAN QTY OUT	DENOMINACION	DESCRIPTION	DENOMINATION	C H A S I S
1	FRC5435	1	ENGRANAJE	GEAR	ENGRANAGE	
2	FRC5681	1	ENGRANAJE	GEAR	ENGRANAGE	
3	FRC7111	1	ENGRANAJE	GEAR	ENGRANAGE	
4	FRC5423	1	ENGRANAJE	GEAR	ENGRANAGE	
5	FRC5436	1	CASQUILLO	BUSH	BAGUE	
6	711420	1	RODAMIENTO	BEARING	ROULEMENT	
7	FRC6498	1	TUERCA	NUT	ECROU	
8	FRC5450	1	EJE	SHAFT	AXE	
9	FRC3162	1	SINFIN VELOCIMETRO	SPEEDOMETER ENDLESS	SANS FIN DE CONTEUR	
10	FRC5446	1	SEPARADOR	SPACER	ENTRETOISE	
11	214797	1	RODAMIENTO	BEARING	ROULEMENT	
12	216962	1	ANILLO ELASTICO	CIRCLIP	CIRCLIP	
13	FRC7043	1	RETEN	CIL SEAL	RETAINER	
14	571971	1	PROTECTOR	PROTECTOR	PROTECTEUR	
15	189410	1	ANILLO ELASTICO	CIRCLIP	CIRCLIP	
16	FRC3506	1	DEFLECTOR ACEITE	CIL DEFLECTOR	DEFLECTEUR DE HUILE	
17	FRC5438	1	BRIDA	BRIDE	FLANGE	
18	FRC3682	4	TORNILLO	BOLT	BOULON	
19	SA108201	2	TORNILLO	SCREW	VIS	
20	FRC2464	1	ARANDELA	WASHER	RONDELLE	
21	571468	1	ARANDELA	WASHER	RONDELLE	
22	NY120041	1	TUERCA	NUT	ECROU	
23	533769	1	PLACA	PLATE	PLAQUE	
24	88108757	1	RETEN	OIL SEAL	RETAINER	
25	FRC3286	1	ALOJAMIENTO	HOUSING	CARTER	
26	571669	1	ANILLO	RING	ANNEAU	
28	FRC3310	1	ENGRANAJE	GEAR	ENGRANAGE	
29	571536	1	ESPARRAGO	STUD	GUIJON	
30	WA106041	1	ARANDELA	WASHER	RONDELLE	
31	NY106041	1	TUERCA	NUT	ECROU	

080411



PUBLICACION N 880013  
EDICION N 1

GRUPO=07 CAJA DE TRANSFERE  
GRUPO=08 TRANSFER CASING  
GRUPO=08 BOITE DE TRANSFER

SUBGRUPO=ENGRANAJES 5 VELOCID  
SUBGRUPO=GEARS 5 SPEED  
SUBGRUPO=ENGRANAGES 5 VITESSE

N.FIG	N.PIEZA	CAN				
PLATE	PARTNUMBER	QTY				
N.FIG	N.PIECE	OUT	DENOMINACION	DESCRIPTION	DENOMINATION	C H A S I S
1	FRC5422	1	ENGRANAJE INTERMEDIO	INTERMEDIATE GEAR	ENGRANAGE INTERMEDIA	
2	FRC6861	2	ARANDELA	WASHER	RONDELLE	
3	594291	2	RODAMIENTO	BEARING	ROULEMENT	
4	FRC6862	1	SEPARADOR	SPACER	ENTRETOISE	
5	FRC5454F1	1	CONJ EJE INTERMEDIO	INTERMEDIATE SHAFT A	ENS AXE INTERMEDIAIR	
6	004099	2	TAPON	PLUG	BOUCHON	
7	532323	1	ANILLO	RING	ANNEAU	